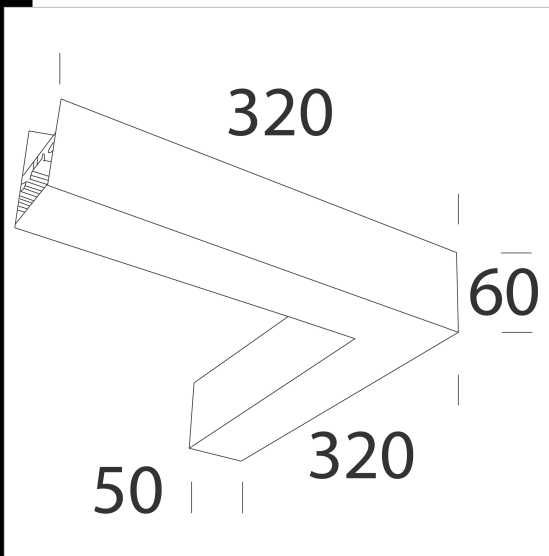
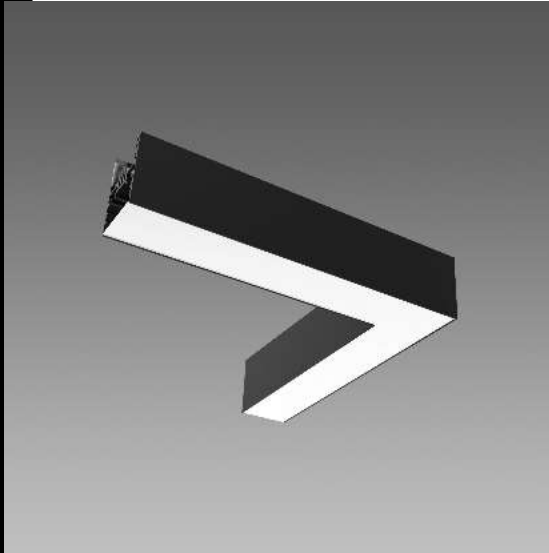


Angular module - ALL LIGHT

permits angle connection of Liset 2.0. On request: DIMM-DALI (-1241). Kg= 1,1.

Download

- DXF 2D
- angolare.dxf
- Montaggi
- LISET_2-0_acc_ang rev0.pdf



Code	Gear	Kg	WTot	Colour
22302630-00	CLD CELL	3,06	14 W	NERO
22302630-39	CLD CELL	1,46	14 W	NERO
22302630-1241	CLD CELL-D-D	3,06	14 W	NERO
22302610-00	CLD CELL	1,46	14 W	BIANCO
22302610-39	CLD CELL	1,46	14 W	BIANCO
22302610-1241	CLD CELLDD	3,00	14 W	BIANCO

Prodotti



- Liset 2.0 - plafonnier - Dark light - UGR<19



- Liset 2.0 - suspension - lumière directe - Dark light - UGR<19



- Liset 2.0 - suspension - lumière directe / indirecte - Dark light - UGR<19



- Liset 2.0 - plafonnier - optiques confort - CRI 90



- Liset 2.0 - suspension - lumière directe - optiques confort - CRI 90



- Liset 2.0 - suspension - lumière directe/indirecte - optique confort - CRI 90



- Liset 2.0 - plafonnier - diffuseur en polycarbonate



- Liset 2.0 - suspension - lumière directe - diffuseur en polycarbonate



- Liset 2.0 - suspension - lumière directe/indirecte - diffuseur en polycarbonate

The reported luminous flux is the flux emitted by the light source with a tolerance of $\pm 10\%$ compared to the indicated value. The W tot column indicates the total wattage absorbed by the system without exceeding 10% of the indicated