



Signal tower  
Ø70mm/2.75"  
8TL7

Product designation

Product type designation

**General characteristics**

|                                   |           |                   |
|-----------------------------------|-----------|-------------------|
| Diameter                          | mm - inch | 70 / 2.75         |
| Supply voltage (DC)               | V         | 24±10%            |
| Colour                            |           | Blue, orange, red |
| IEC degree of protection          |           | IP65              |
| Light consumption per module (DC) | mA        | 90                |
| Sound module consumption (DC)     | mA        | 90                |
| Sound intensity                   | dB        | 90                |

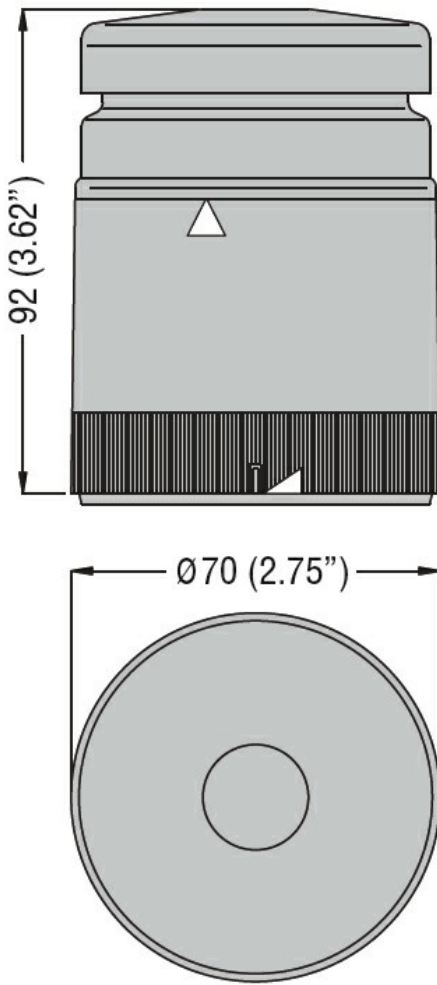
**Mechanical features**

|                                     |     |                       |
|-------------------------------------|-----|-----------------------|
| Tightening torque for terminals max | Nm  | 0.5                   |
| Terminals screw                     |     | Screw clamp terminals |
| Conductor section                   |     |                       |
| AWG/Kcmil                           | max | 16                    |
| IEC                                 | max | mm <sup>2</sup> 1.5   |
| Weight                              | g   | 200                   |

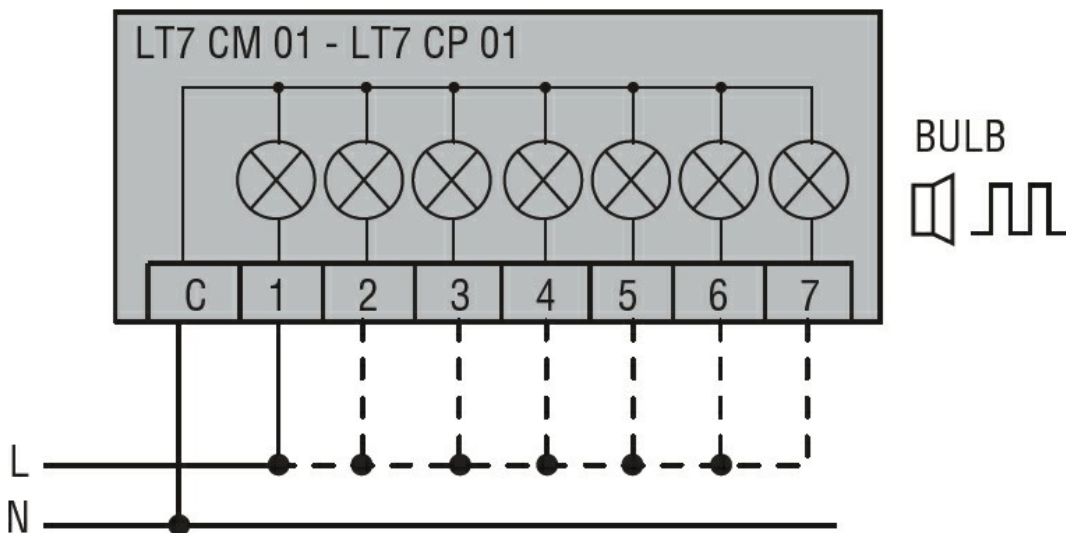
**Ambient conditions**

|                       |     |    |     |
|-----------------------|-----|----|-----|
| Temperature           |     |    |     |
| Operating temperature | min | °C | -20 |
|                       | max | °C | +50 |

**Dimensions**



Wiring diagrams



Connect terminals C and 1 as indicated to power the first module. If other modules are fitted, the respective terminals must be connected accordingly.

Certifications and compliance

Compliance

CSA C22.2 n° 14

---

IEC/EN 60947-1

---

IEC/EN 60947-5-1

---

UL508

---

Certificates

---

cULus

---

EAC

**ETIM classification**

ETIM 8.0

EC000232 -  
Optical module  
for signal tower