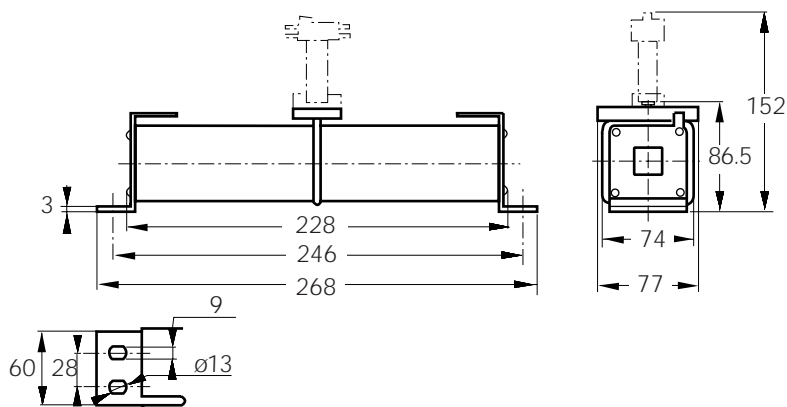


Protistor DC fuses

DC Square-body Fuses Sizes 300 - 302 - 2x302 gR Brackets size 302 - 2000V DC

gRC-gRE from 100 to 280 A

Dimensions



Weight: 2200 g



Main Characteristics

| Size | Current rating I_N (A) | Breaking Capacity | Watts loss | | Designation | Ref. Number | Catalog Number |
|------|-----------------------------|--------------------------------------|------------------|--------------|-----------------------|-------------|----------------|
| | | | $0.8 I_N$ (W) | I_N (W) | | | |
| | 100 | @ 2000 V DC | 30 | 58.5 | CC 20 gRC 302 QF 0100 | N086929 | D302GC20C100QF |
| | 125 | 30 kA | 37 | 72 | CC 20 gRC 302 QF 0125 | P086930 | D302GC20C125QF |
| | 160 | L/R = 30 ms | 47.5 | 93 | CC 20 gRC 302 QF 0160 | Q086931 | D302GC20C160QF |
| 302 | 160 | @ 2000 V DC | 42 | 70 | CC 20 gRE 302 QF 0160 | S075755 | D302GE20C160QF |
| | 200 | 30 kA | 48 | 80 | CC 20 gRE 302 QF 0200 | T075756 | D302GE20C200QF |
| | 250 | L/R = 14 ms | 57 | 95 | CC 20 gRE 302 QF 0250 | V075757 | D302GE20C250QF |
| | 280 | @ 1800 V DC 100 kA L/R = 20 ms | 60 | 100 | CC 20 gRE 302 QF 0280 | W075758 | D302GE20C280QF |

Microswitch MC 2R 3E 1-5N BS Reference number: J310025

FERRAZ SHAWMUT
IS NOW

MERSEN

Protistor DC fuses

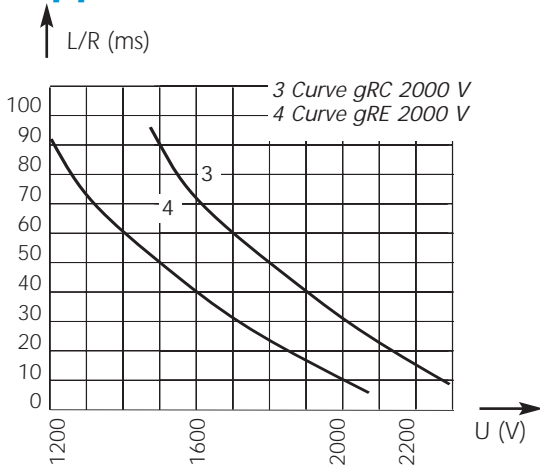
DC Square-body Fuses
 Sizes 300 - 302 - 2x302
 gR Brackets size 302 - 2000V DC



gRC-gRE from 100 to 280 A

Electrical characteristics

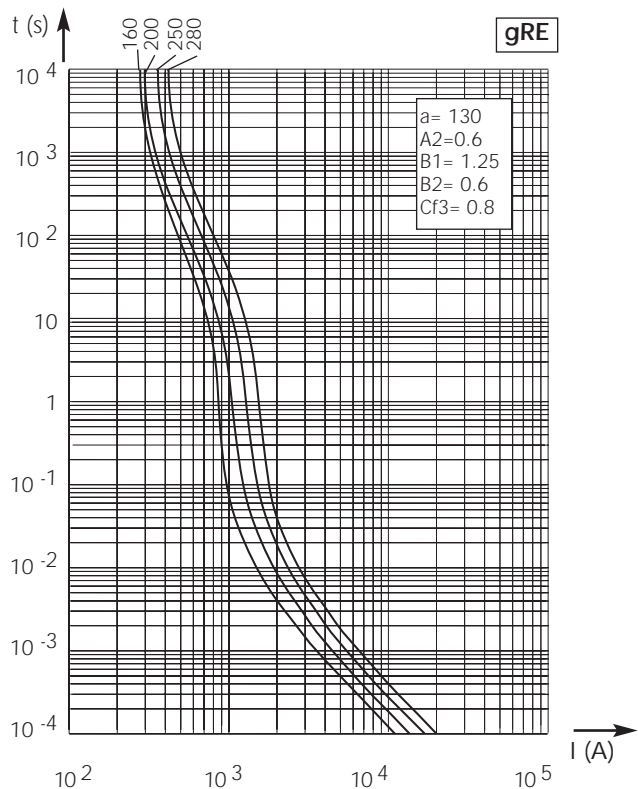
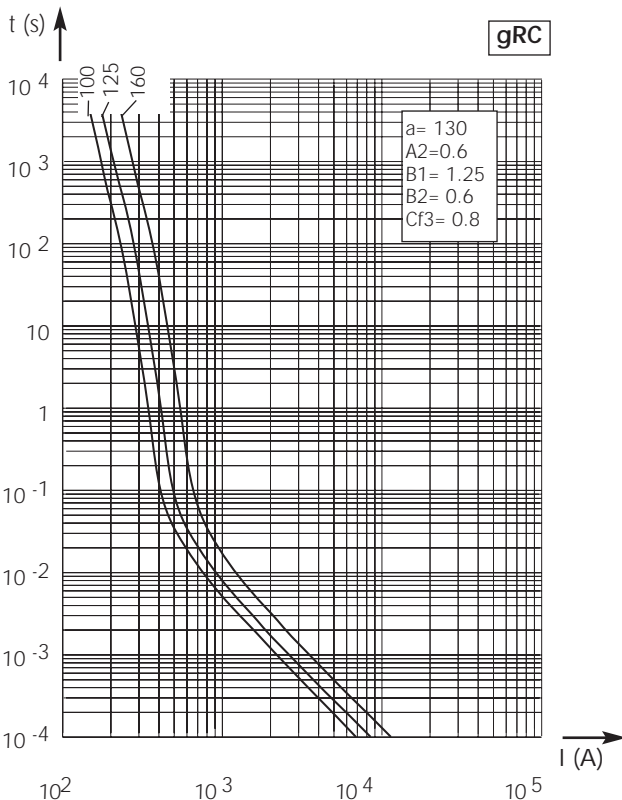
DC applications data



Above: Curves indicate maximum permissible value of time constant L/R as a function of DC working voltage

Max. AC voltage (50/60 Hz):
 1700 V with breaking capacity of 80 kA

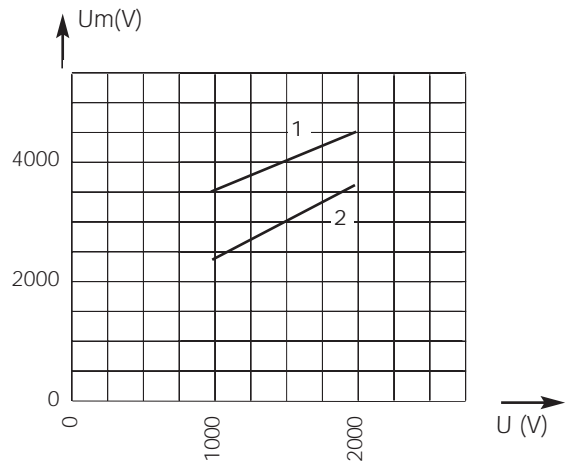
Time vs. current characteristics



±10% tolerance for mean pre-arcing current

Above, left and right: Curves indicate, for each rated current, pre-arcing time vs. R.M.S. pre-arcing current

Peak arc voltage vs. working voltage



1 Curve gRC : L/R = 30 ms
 2 Curve gRE : L/R = 15 ms

Above: Curves indicate for various time constants L/R the peak arc voltage which may appear across the fuse terminals, vs. DC working voltage