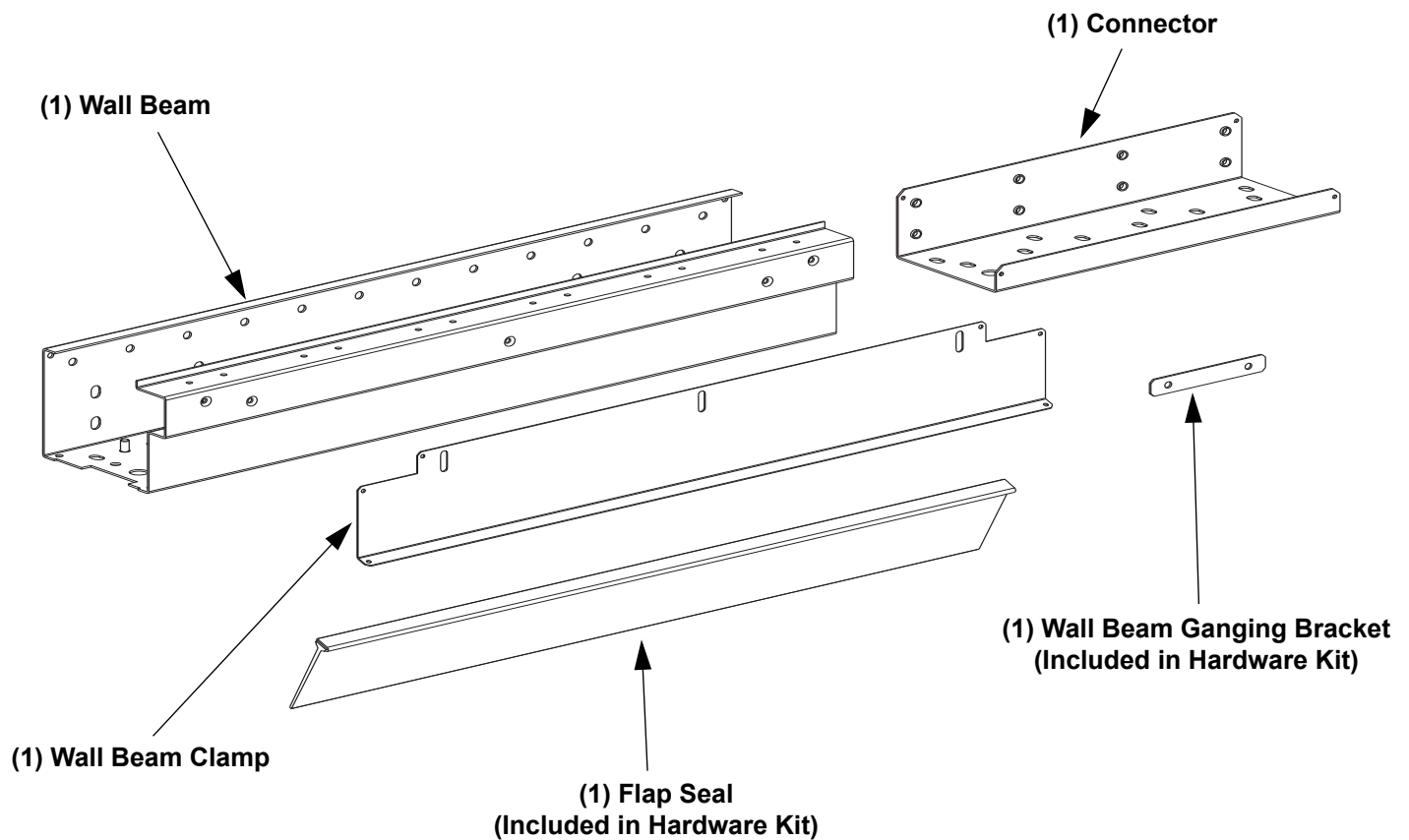


### Installation

Accurate cabinet placement is essential for the proper assembly of the NET-CONTAIN system. Do not attempt to install before reading the Assembly Instruction Sheet. Visit our website ([www.panduit.com](http://www.panduit.com)) to download a copy of the Assembly Instruction Sheet Net-Contain (Universal Aisle Containment V00029BZ) or (Universal Single Row Containment V00029GR) which details this installation. If you have purchased an end of row door frame, a paper copy of the assembly instructions are included with this.



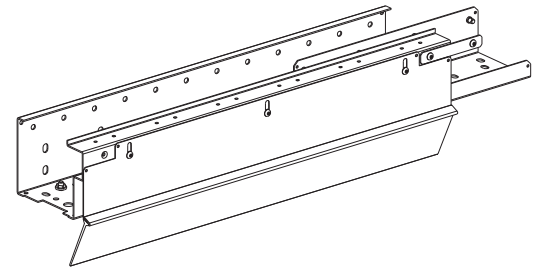
### Component Guide

**CUWBSS06ST01\*\***

- (1) 600mm Wall Beam
- (1) 600mm Wall Beam Clamp
- (1) Connector
- (1) Wall Beam Ganging Bracket  
(Included in Hardware Kit)
- (1) Flap Seal  
(Included in Hardware Kit)
- (1) Hardware Kit

**CUWBPS06ST02\*\***

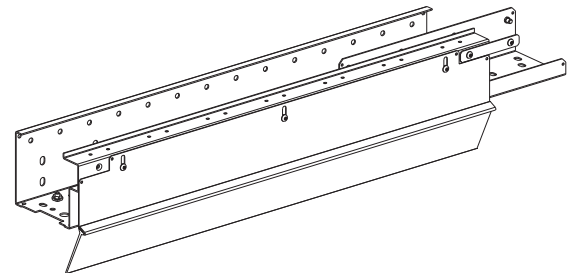
- (2) 600mm Wall Beams
- (2) 600mm Wall Beam Clamps
- (2) Connectors
- (2) Wall Beam Ganging Brackets  
(Included in Hardware Kit)
- (2) Flap Seals  
(Included in Hardware Kit)
- (2) Hardware Kits

**CUWBSS07ST01\*\***

- (1) 700mm Wall Beam
- (1) 700mm Wall Beam Clamp
- (1) Connector
- (1) Wall Beam Ganging Bracket  
(Included in Hardware Kit)
- (1) Flap Seal  
(Included in Hardware Kit)
- (1) Hardware Kit

**CUWBPS07ST02\*\***

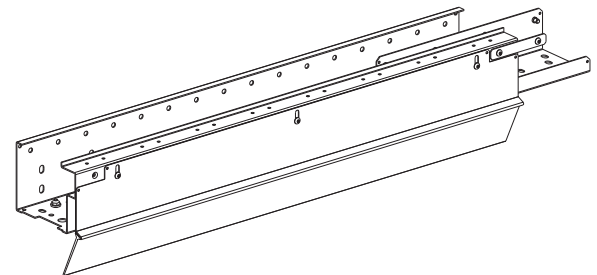
- (2) 700mm Wall Beams
- (2) 700mm Wall Beam Clamps
- (2) Connectors
- (2) Wall Beam Ganging Brackets  
(Included in Hardware Kit)
- (2) Flap Seals  
(Included in Hardware Kit)
- (2) Hardware Kits

**CUWBSS08ST01\*\***

- (1) 800mm Wall Beam
- (1) 800mm Wall Beam Clamp
- (1) Connector
- (1) Wall Beam Ganging Bracket  
(Included in Hardware Kit)
- (1) Flap Seal  
(Included in Hardware Kit)
- (1) Hardware Kit

**CUWBPS08ST02\*\***

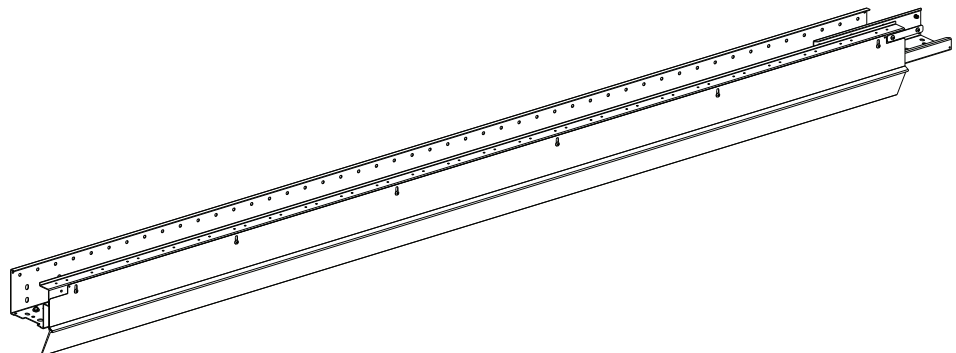
- (2) 800mm Wall Beams
- (2) 800mm Wall Beam Clamps
- (2) Connectors
- (2) Wall Beam Ganging Brackets  
(Included in Hardware Kit)
- (2) Flap Seals  
(Included in Hardware Kit)
- (2) Hardware Kits

**CUWBSS24ST01\*\***

- (1) 2400mm Wall Beam
- (1) 2400mm Wall Beam Clamp
- (1) Connector
- (1) Wall Beam Ganging Bracket  
(Included in Hardware Kit)
- (1) Flap Seal  
(Included in Hardware Kit)
- (1) Hardware Kit

**CUWBPS24ST02\*\***

- (2) 2400mm Wall Beams
- (2) 2400mm Wall Beam Clamps
- (2) Connectors
- (2) Wall Beam Ganging Brackets  
(Included in Hardware Kit)
- (2) Flap Seals  
(Included in Hardware Kit)
- (2) Hardware Kits



For Instructions in Local Languages  
and Technical Support:

[www.panduit.com/resources/install\\_maintain.asp](http://www.panduit.com/resources/install_maintain.asp)

**PANDUIT**

[www.panduit.com](http://www.panduit.com)

E-mail:  
[techsupport@panduit.com](mailto:techsupport@panduit.com)

Phone:  
866-405-6654