



Start-up priority change relay.
Possible starting of stand-by motor. Plug-in version
CSP2E
Start-up priority change relay.
Possible starting of stand-by motor

Product designation

Product type designation

Function

Auxiliary supply

Supply voltage Type	Single voltage		
Rated auxiliary supply voltage U_s			
AC	min	VAC	24
Operating voltage range	0.85...1.1 U_s		
Rated frequency	Hz	50/60	
Power consumption Max	VA	5	
Power dissipation Max	W	3	

Relay outputs

Number of relays	Nr.	2	
Relay state	Normally de-energised, energises at tripping		
Contact arrangement	2 x 1NO-SPST contact		
Rated operational voltage AC (IEC)	VAC	250	
IEC Conventional free air thermal current I_{th}	A	5	
UL/CSA and IEC/EN 60947-5-1 designation	B300		
Electrical life (with rated load)	cycles	10^5	
Mechanical life	cycles	30×10^6	

Indications

Indication	1 green LED for power on 1 red LED for relay state		
------------	--	--	--

Connections

Terminals type	plug-in		
----------------	---------	--	--

Insulations

Rated insulation voltage U_i	V	250	
Rated impulse withstand voltage U_{imp}	kV	4	
Operating frequency withstand voltage	kV	2.5	

Ambient conditions

Temperature	Operating temperature		
-------------	-----------------------	--	--

min	°C	-20
max	°C	+60

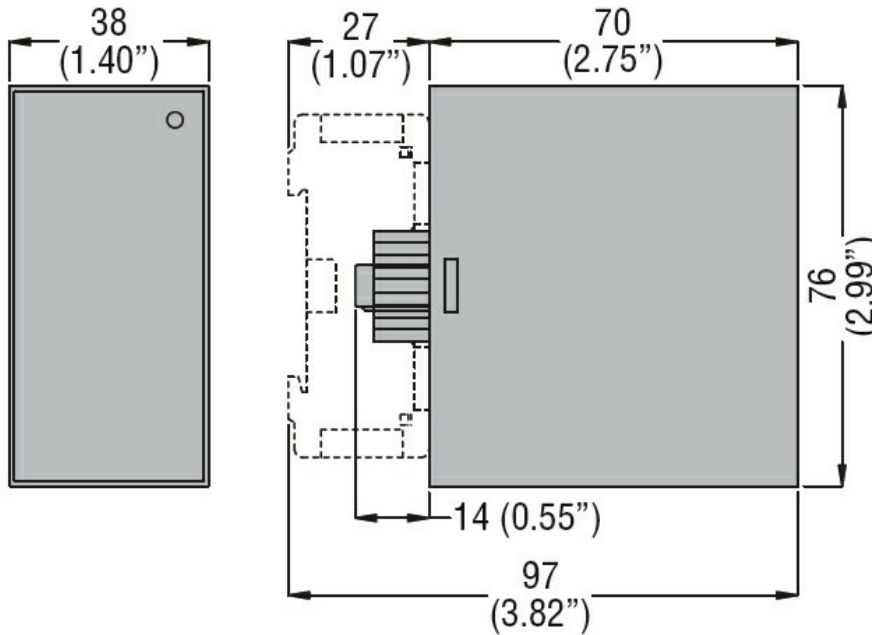
Storage temperature

min	°C	-30
max	°C	+80

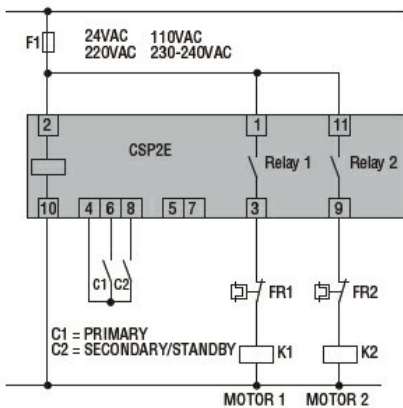
Housing

Execution	11-pin plug-in housing (socket S11)
Material	Self-extinguishing polycarbonate
Mounting	11-pin plug-in housing (socket S11)
IEC degree of protection	IP30
Dimensions (W x H x D)	mm 38 x 76 x 70
Weight	g 150

Dimensions



Wiring diagrams



Certifications and compliance

Compliance

IEC/EN 60255-5

Certificates

EAC

ETIM classification

ETIM 8.0

EC001447 - (Fill)
level monitoring
relay