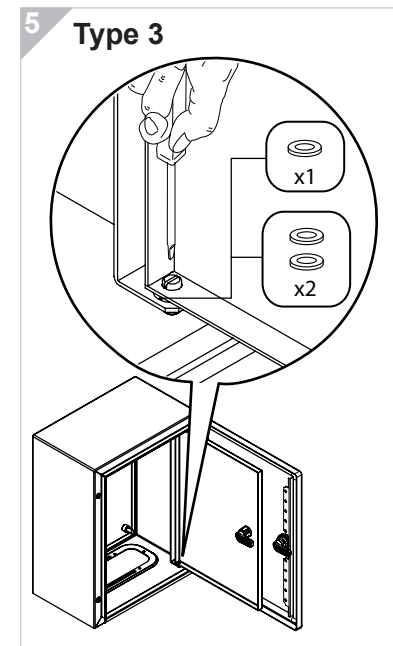
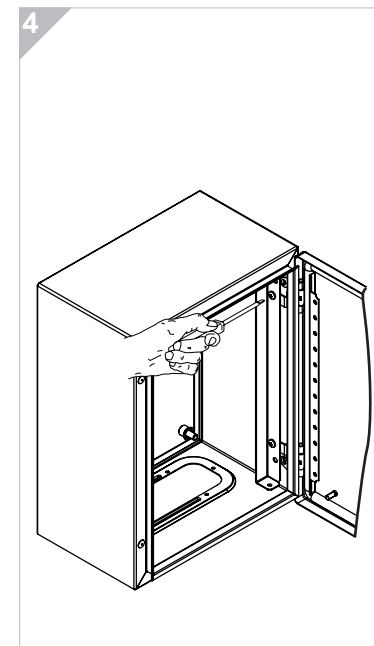
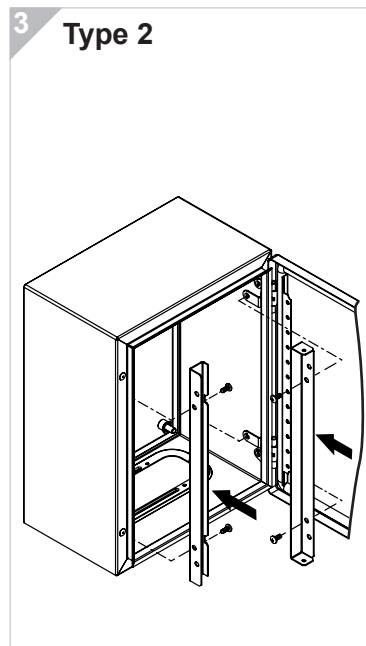
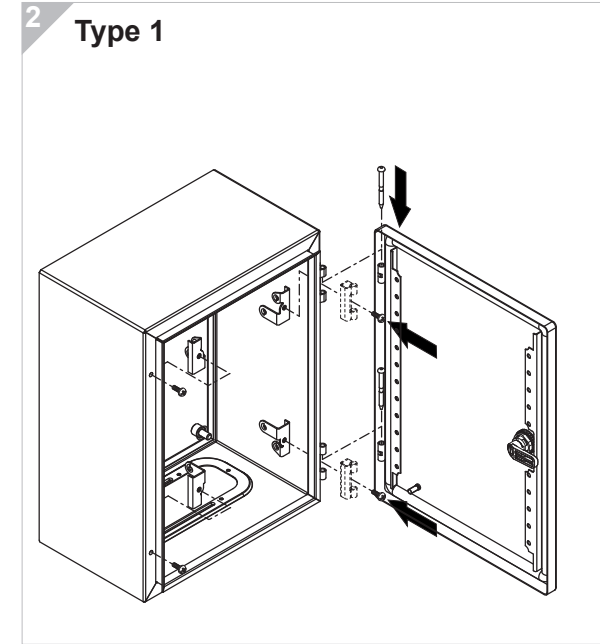
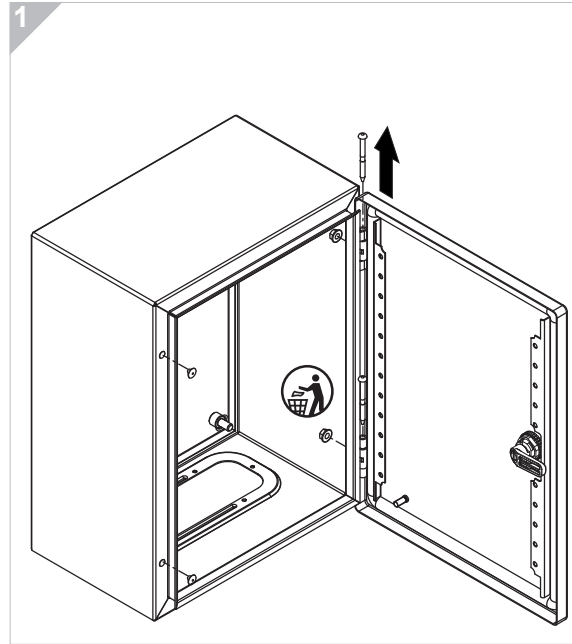
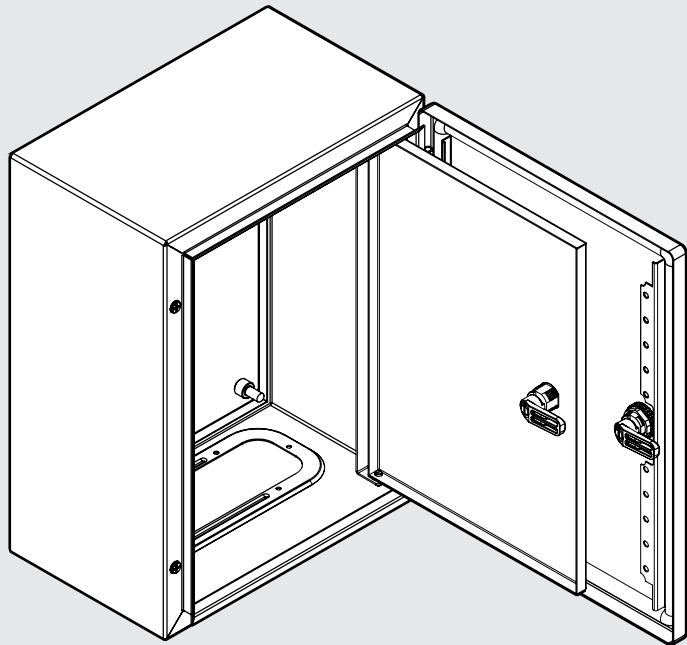



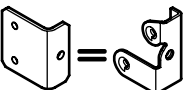



A

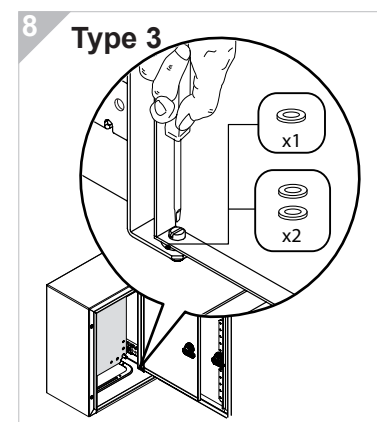
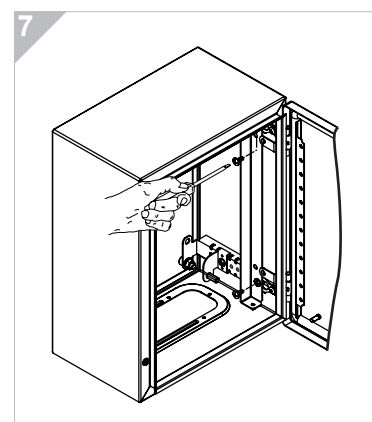
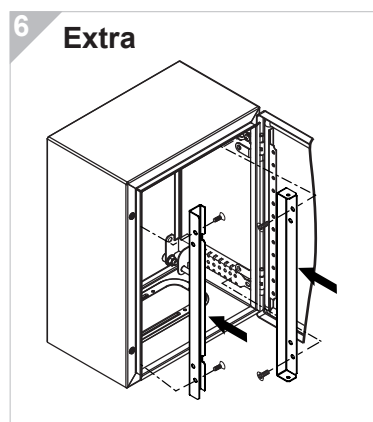
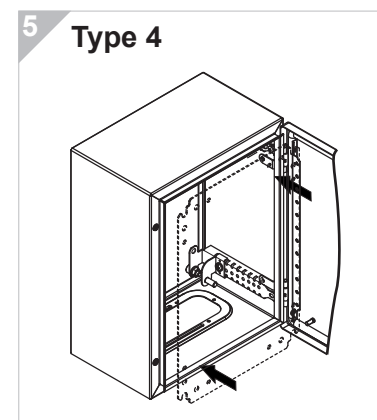
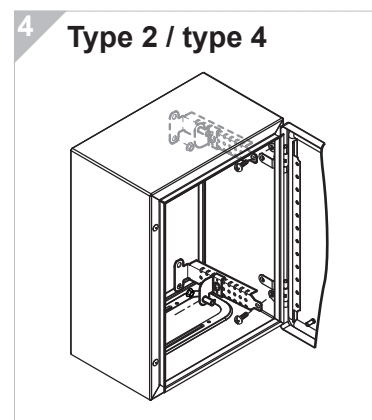
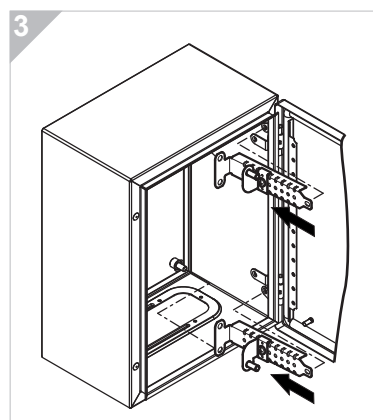
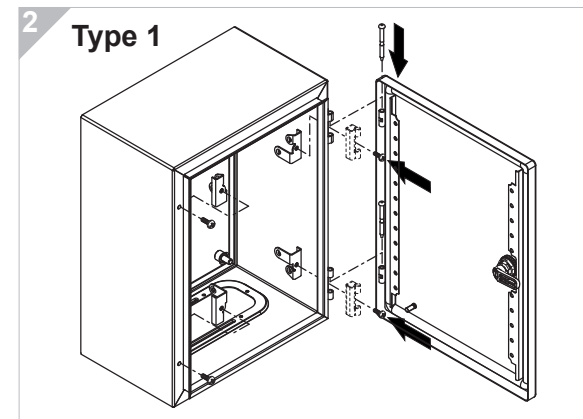
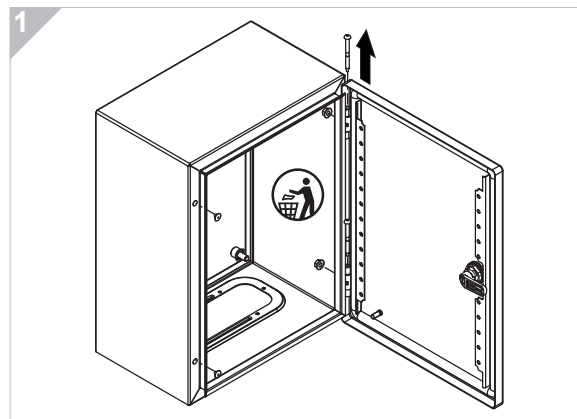
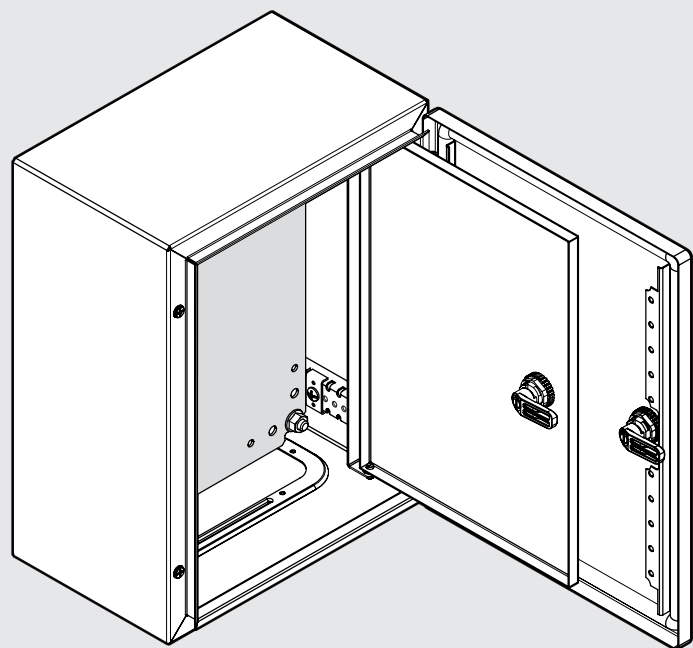
	type 1 M6 3 Nm 26,55 lb-in		type 2 5'5 3 Nm 26,55 lb-in		type 3 M8
---	--	---	---	---	---------------------





1.000x600		=		400x300
1.000x800				500x400
1.200x600				600x400
1.200x800				700x500 800x600




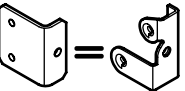

Schneider
Electric

A'



 type 1 M6 3 Nm 26,55 lb-in	 type 2 5'5 3 Nm 26,55 lb-in	 type 3 M8	 type 4 M8 3 Nm 26,55 lb-in
--	---	---	--

 Extra M6 / T30 3 Nm 26,55 lb-in

	1.000x600		400x300
	1.000x800		500x400
	1.200x600		600x400
	1.200x800		700x500 800x600

