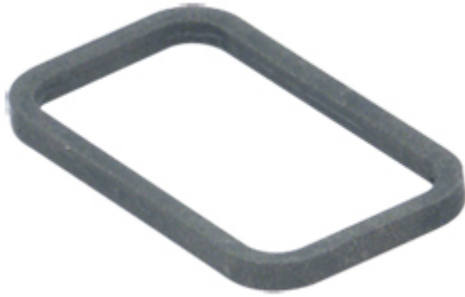


Part number

# CR 08 EMC



Gasket, for EMC conductivity, for CQ male inserts

#### Product description

<b>Product type</b>	Gasket
<b>Specification</b>	For EMC conductivity For CQ male inserts

#### Further technical details

<b>Weight</b>	1,50 g
---------------	--------

#### General ordering information

<b>EAN13 code</b>	8015747089173
<b>eCl@ss 8.1</b>	27449290
<b>ETIM 7.0</b>	EC002943

#### Packaging Information

<b>Sub-packaging description</b>	Plastic bag
<b>Sub-packaging quantity</b>	5 Pcs
<b>Sub-packaging EAN barcode</b>	8015747094931

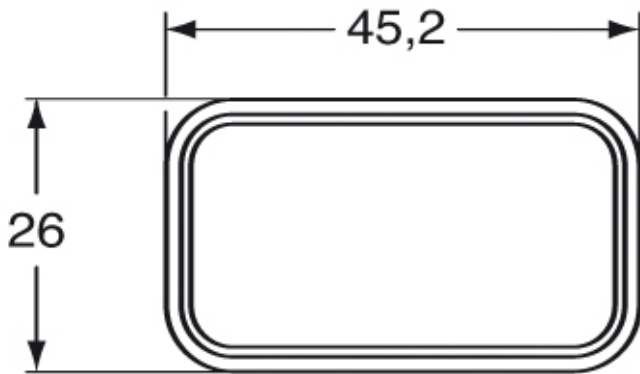
Part number

# CR 08 EMC



Catalogue drawings

## CR 08 EMC



### Notes

Dimensions shown in mm are not binding and may be changed without notice.