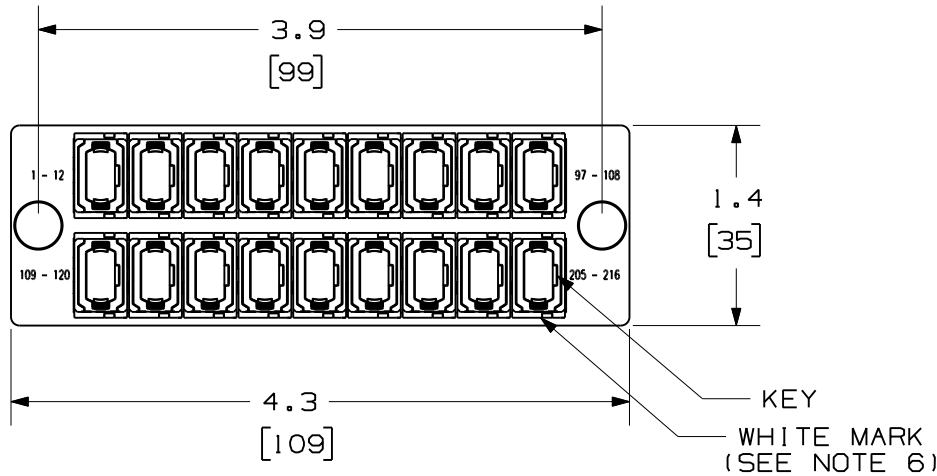
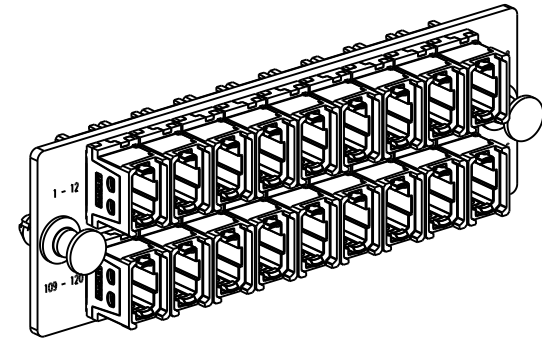
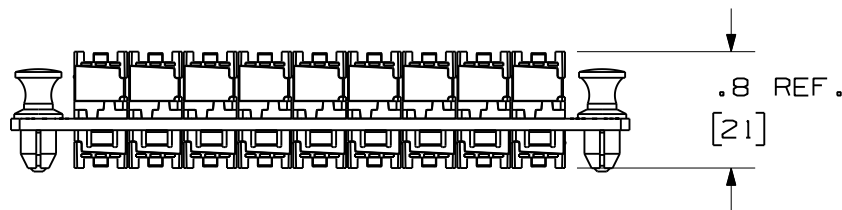



THIS COPY IS PROVIDED ON A RESTRICTED BASIS AND IS NOT TO BE USED IN ANY WAY DETRIMENTAL TO THE INTERESTS OF PANDUIT CORP.



- NOTES:
1. SEE CURRENT CATALOG FOR PART NUMBER SUFFIXES TO INDICATE COLOR AND/OR PACKAGE QUANTITIES.
  2. SEE CATALOG FOR COMPLETE LIST OF PARTS APPLICABLE FOR USE WITH THIS PRODUCT.
  3. MATERIALS:  
 A. PLATE: C.R.S. POWDER COATED.  
 B. ADAPTER: COMPOSITE WITH METAL CLIP.  
 C. ALL MATERIALS AND COMPONENTS USED MEET THE MATERIAL RESTRICTIONS OF RoHS, (EUROPEAN DIRECTIVE 2002/95/EC ON THE RESTRICTION OF HAZARDOUS SUBSTANCES) AS PROPOSED BY THE RoHS TECHNICAL ADAPTATION COMMITTEE.
  4. ADAPTERS ARE SUPPLIED WITH TWO DUST PLUGS.
  5. DIMENSIONS IN BRACKETS ARE METRIC.
  6. WHITE MARK ON MPO ADAPTER CORRELATES TO FIRST FIBER ON INSTALLED MPO/MTP CONNECTOR.

DUST PLUGS NOT SHOWN FOR CLARITY



										18 POSITION HORIZONTAL MPO FIBER ADAPTER PANEL CUSTOMER DRAWING			
										 <b>PANDUIT</b> ™ CORP. TINLEY PARK, ILL 60477			
										ALL DIMENSIONS ARE GIVEN IN INCHES UNLESS OTHERWISE SPECIFIED. DIMENSIONAL TOLERANCES ARE: (.X) ±.03   (.XXX) ±.010   (.3) ±.005   ANGLES		DRAWING FILENAME M01945WY_DC/00A	
										THIRD ANGLE PROJECTION		SCALE NONE	
										DRAWN BY MC		PART NO. FAPH1812BLMPO FAPH1812CGMPO	
										DATE 02-28-11		DRAWING NO. 01945-160	
										CHECK'D		SIZE A	
REV	DATE	BY	CHK	DESCRIPTION	ECN	R	CUST	SUP	OTH				
R	03-07-11	MC		RELEASED TO PRODUCTION	01945-160								