

Part number

CHO 32 X



Hood, C-TYPE series, with 2 levers, Pg36 side cable entry, size "77.62", without gasket



| | | | |
|---|------------------------------------|-------------------------------------|---|
| Product description | | Material properties | |
| Product type | Hood | Other materials | Lever: Stainless steel, polyamide (PA) |
| Series | C-TYPE | Colour | RAL 7040 grey |
| Closing type | With 2 levers | | Compliant with exemption |
| Size | Size 77.62 | RoHs conformity | 6(c): copper alloy containing up to 4% lead by weight |
| Cable entry | Side cable entry with adapter Pg36 | China RoHs - EFUP | 50 |
| Specification | Without gasket | REACH SVHC substances | Yes Lead |
| Technical data | | SCIP number | 15deaf78-e939-4401-a0b0-e2228ca32a03 |
| IP degree of protection | IP65 / IP66 / IP69 | Approvals / Standards | |
| Further technical details | | Certifications | DNV, BV |
| Weight | 525,00 g | UL | ECBT2 |
| Operating temperature range (min, max) | -40°C...+125°C | cUL | ECBT8 |
| | | General ordering information | |
| | | EAN13 code | 8015747020268 |
| | | Packaging Information | |
| | | Packaging length | 280,00 mm |
| | | Packaging height | 140,00 mm |
| | | Packaging width | 310,00 mm |
| | | Packaging weight | 4,49 kg |
| | | Packaging volume | 12,15 dm ³ |
| | | Packaging description | Carton box |
| | | Packaging quantity | 8 Pcs |
| | | Packaging EAN code | 8015747020275 |
| | | Sub-packaging weight | 0,56 kg |
| | | Sub-packaging description | Plastic packaging |
| | | Sub-packaging quantity | 1 Pcs |
| | | Sub-packaging EAN barcode | 8015747020282 |

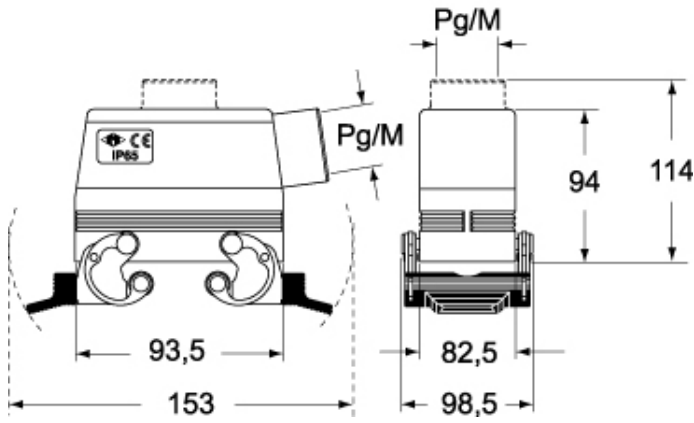
Part number

CHO 32 X



Catalogue drawings

CHO X - CHV X MHO/MFO/MFV X - MHV X



Notes

Dimensions shown in mm are not binding and may be changed without notice.