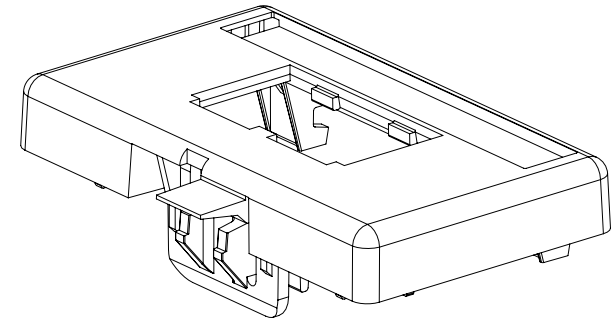
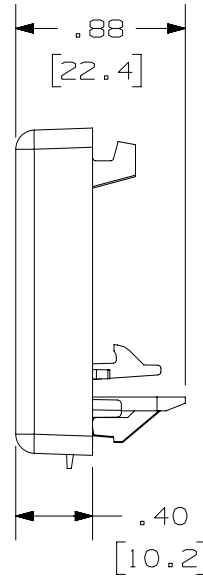
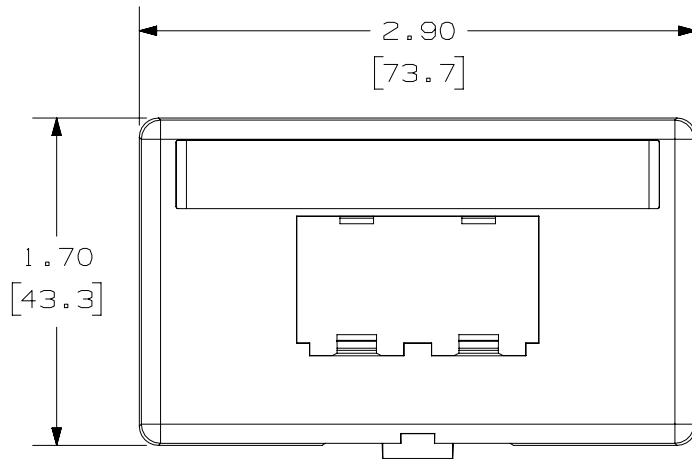
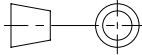



THIS COPY IS PROVIDED ON A RESTRICTED BASIS AND IS NOT TO BE USED IN ANY WAY DETRIMENTAL TO THE INTERESTS OF PANDUIT CORP.

NOTES:

1. VISIT OUR ON-LINE CATALOG AT WWW.PANDUIT.COM FOR A LIST OF CURRENT PARTS APPLICABLE FOR USE WITH THIS PRODUCT.
2. DIMENSIONS IN [] ARE METRIC.
3. ALL MATERIALS AND COMPONENTS USED MEET THE MATERIAL RESTRICTIONS OF RoHS (EUROPEAN DIRECTIVE 2011/65/EU ON THE RESTRICTION OF HAZARDOUS SUBSTANCES) AS PROPOSED BY THE RoHS TECHNICAL ADAPTATION COMMITTEE.
4. WEIGHT: .24 LB/10 PCS (110.3 g/10 PCS)
5. PART INCLUDES:
 - 1-FACEPLATE
 - 1-LABEL
 - 1-LABEL COVER



PART NUMBER		CFFPL2**		
TITLE		MINI-COM™ 2 POSITION STANDARD FURNITURE FACEPLATE		
		CUSTOMER DRAWING		
ITEM REVISION NAME		00224NAA/01		
DATASET FILE NAME		00224NAA_DC/01A		
 THIRD ANGLE PROJECTION				
MATERIAL				
DRAWN BY		DATE	CHK	SCALE
T WV		4-12-18	SCAL	1:1
DRAWING NUMBER		00224NAA-DC		
SHEET 1 OF 1		A		

REV	DATE	BY	CHK	APR	DESCRIPTION	ECN
1	8-28-18	MDJR	JCO	MMR	UPDATED CAD MODEL	00224NAA-DC
R	4-12-18	T WV	SCAL	MMR	RELEASED TO PRODUCTION	00224NAA-DC

2

1

2

1

A-SIZE CUSTOMER

B

B

A

A