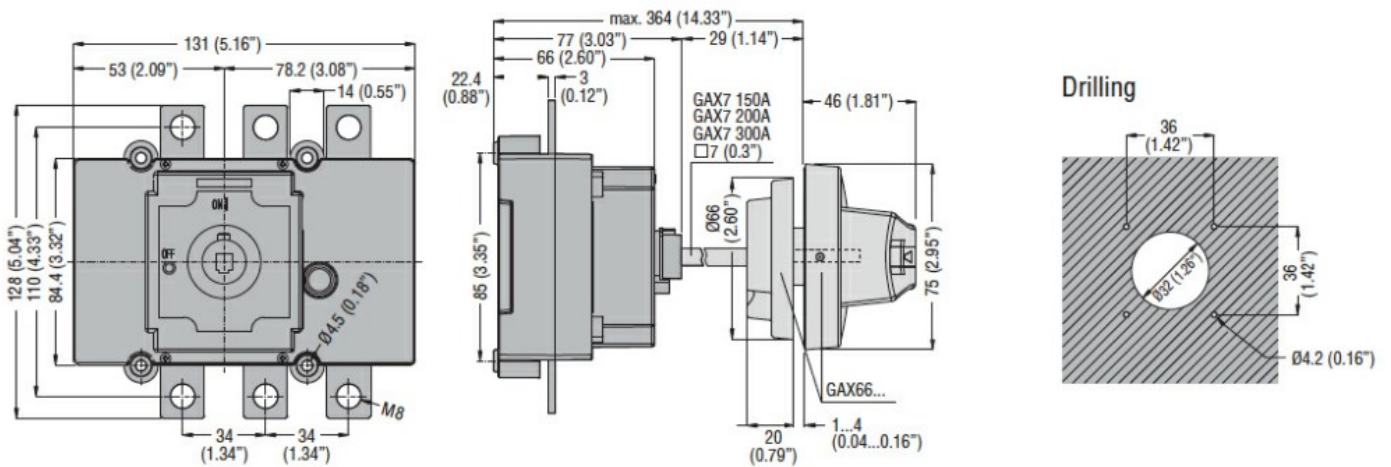


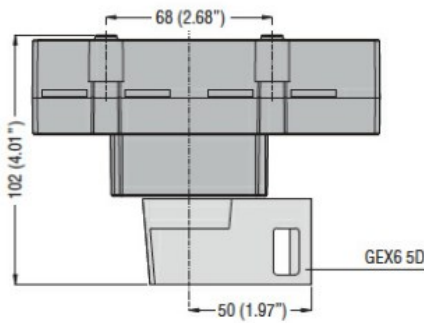


Product designation				Switch disconnecter
Product type designation				GE
Number of poles				Nr. 3
Operating voltage type				AC
Contact characteristics				
IEC Conventional free air thermal current I _{th}				A 160
Rated insulation voltage U _i IEC/EN				V 1000
Rated impulse withstand voltage U _{imp}				kV 8
Operating current I _e				
	AC21A			
		400V	A	160
		500V	A	160
		690V	A	160
	AC22A			
		400V	A	160
		500V	A	160
		690V	A	125
	AC23A			
		400V	A	160
		500V	A	125
		690V	A	80
Power dissipation per pole max				W 4
Rated operational power AC23A				
		400V	kW	90
		690V	kW	75
Rated short time current (1s) I _{cw} (rms)				kA 7
Conditional short-circuit current (rms)				kA 100
Short-circuit protection with fuse				Class/A gG160
Making capacity AC23A 400V				A 1600
Breaking capacity AC23A 400V				A 1280
Mechanical life				cycles 30000
Electrical life AC21A				cycles 1000 (AC23A 400V)
Mechanical features				
Operating position	normal allowable			Vertical plan Any
Fixing				Screw
Terminals	type screw			Bar M8
Tightening torque for terminals				
		max	Nm	13
		max	lbin	10

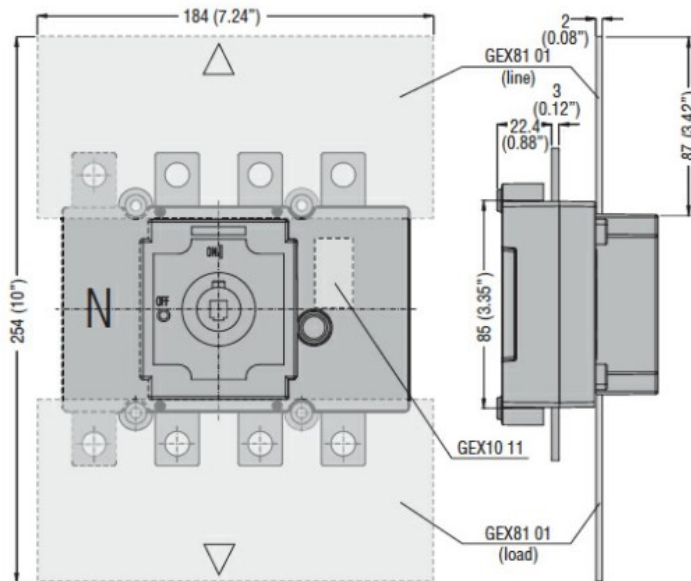
Bar dimensions max	18x3		
Ambient conditions			
Operating temperature	min	°C	-25
	max	°C	55
Storage temperature	min	°C	-40
	max	°C	70
Max altitude	m	3000	
Resistance & Protection			
Frontal IP degree	IP20		
Pollution degree	3		
Dimensions			



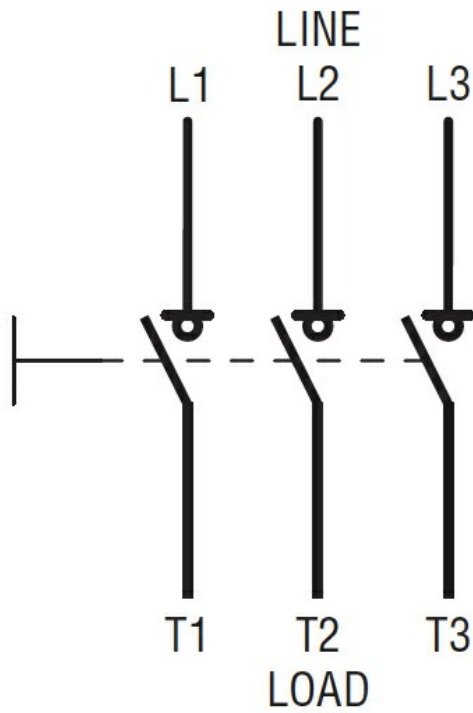
Direct operating version with handle
GEX6 5D



With terminal cover and auxiliary contact



Wiring diagrams



Certifications and compliance

Compliance

IEC/EN 60947-1

IEC/EN 60947-3

Certifications

EAC

ETIM classification

ETIM 8.0

EC000216 -
 Switch
 disconnecter