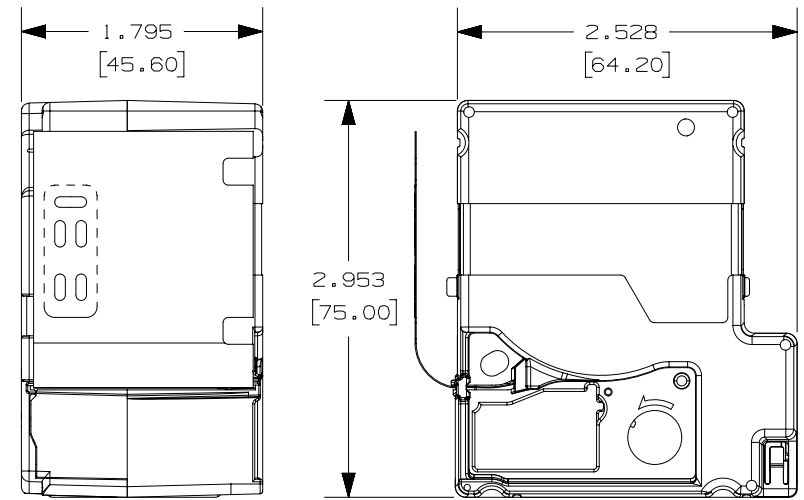
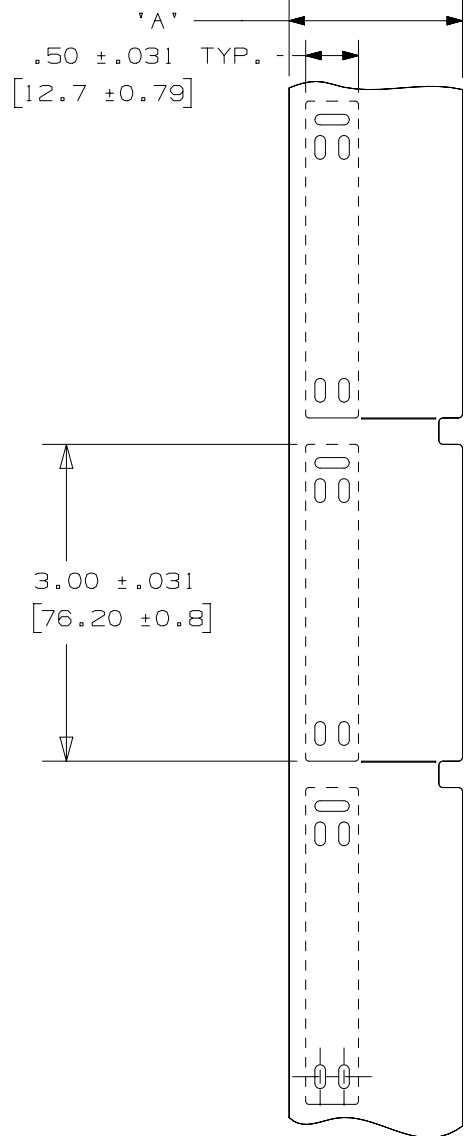


THIS COPY IS PROVIDED ON A RESTRICTED BASIS AND IS NOT TO BE USED IN ANY WAY DETRIMENTAL TO THE INTERESTS OF PANDUIT CORP.



01A

PART NO.	COLOR	MATERIAL	'A' +/- .031 [.787] WEB WIDTH	LABEL COUNT PER CASSETTE
M300X050Y6M	YELLOW	GMH12	1.646	65
M300X050Y7M	WHITE		[41.8]	

NOTE:
1. MILLIMETER ARE IN [].

TITLE MP MARKER PLATE		CUSTOMER DRAWING	
ITEM REVISION NAME 100743XN/01		PANDUIT	
DATASET FILE NAME 100743XN_DC/01A MP MARKER PL CUST DWG			
UNLESS OTHERWISE SPECIFIED, DIMENSIONAL TOLERANCES ARE: IN [mm]		MATERIAL: SEE TABLE	
.x ± .1 [2.54] .xxx ± .025 [.635]		DRAWING NUMBER: 100743XN_DC	
.xx ± .05 [1.27] ANGLES ±		THIRD ANGLE PROJECTION	
DRAWN BY RVU		DATE 4/12/19	CHK JHAC
SCALE NTS		SIZE A	

REV	DATE	BY	CHK	APR	DESCRIPTION	ECN
01A	1/25/2023	RVU	JSUN	MSAD	1.646 [41.8] WAS 1.642 [41.7]. +/-0.031 [.787] WAS +.006/-0.012 [+0.15/-0.305]. M300X050Y7M, GMH12 WAS GMH2. CHG. TITLE FROM "CASSETTE LABEL PER ROLL" TO "LABEL COUNT PER CASSETTE". 65 WAS 50.	GAECN06212
00A	8/27/2020	RVU	RCMC	JHAC	DRAWING RELEASE.	GAECN04943

D10100DA/20