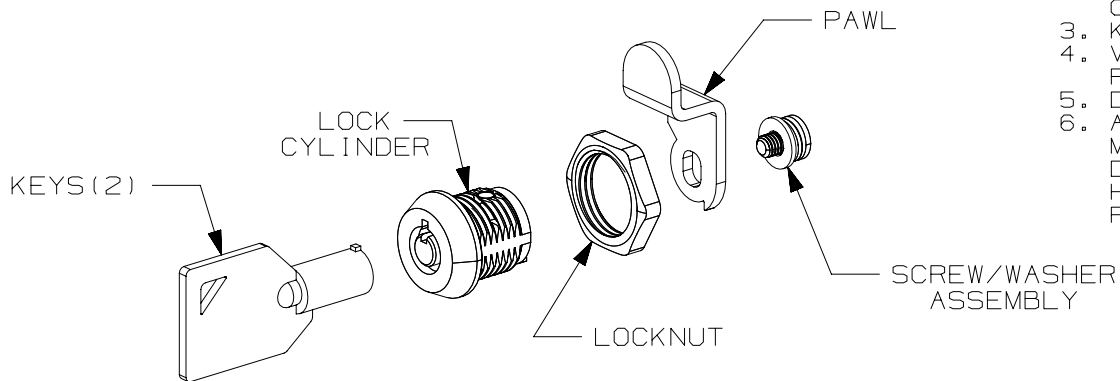


THIS COPY IS PROVIDED ON A RESTRICTED BASIS AND IS NOT TO BE USED IN ANY WAY DETRIMENTAL TO THE INTERESTS OF PANDUIT CORP.

NOTES:

1. EACH KIT INCLUDES TWO LOCKS AND FOUR SETS OF KEYS.
2. MATCHING KEYS AND LOCKS ARE INSCRIBED WITH A KEY OPTION I. D. NUMBER (SEE TABLE 1).
3. KIT WEIGHT 1.4 oz (40 grams).
4. VISIT OUR ON-LINE CATALOG AT WWW.PANDUIT.COM
5. PARTS APPLICABLE FOR USE WITH THIS PRODUCT.
6. DIMENSIONS IN () ARE METRIC.
7. ALL MATERIALS AND COMPONENTS USED MEET THE MATERIAL RESTRICTIONS OF RoHS (EUROPEAN DIRECTIVE 2011/65/EU ON THE RESTRICTION OF HAZARDOUS SUBSTANCES) AS PROPOSED BY THE RoHS TECHNICAL ADAPTATION COMMITTEE.



LOCK KIT

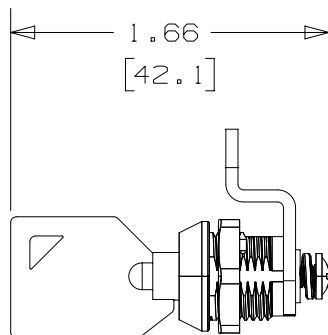
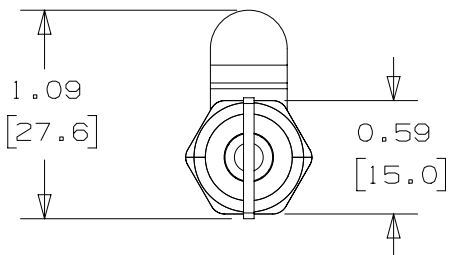
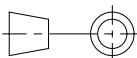


TABLE 1	
PART NUMBER	KEY OPTION I.D. NUMBER
FDfels	NONE
FDfels2	02
FDfels3	03
FDfels4	04

						TITLE LOCK KIT, ODF ENCLOSURE						
						CUSTOMER DRAWING						
						ITEM REVISION NAME 00582EBZ/00			PANDUIT			
						DATASET FILE NAME 00582EBZ_DC/00A						
						UNLESS OTHERWISE SPECIFIED, DIMENSIONAL TOLERANCES ARE: IN (mm)			MATERIAL:			
						.x ± .1 [2.54] .xxx ± .005 [.127]						
						.xx ± .01 [.25] ANGLES ± 1°						
						 THIRD ANGLE PROJECTION			DRAWING NUMBER: 00582EBZ - DC			
00A	11-02-22	SAT	BONS	KYLM	INITIAL RELEASE	00582EBZ-DC						
REV	DATE	BY	CHK	APR	DESCRIPTION	ECN	DRAWN BY SAT	DATE 11-02-22	CHK BONS	SCALE 1:1	SHT 1 OF 1	SIZE A

XGLOBAL_ASIZE