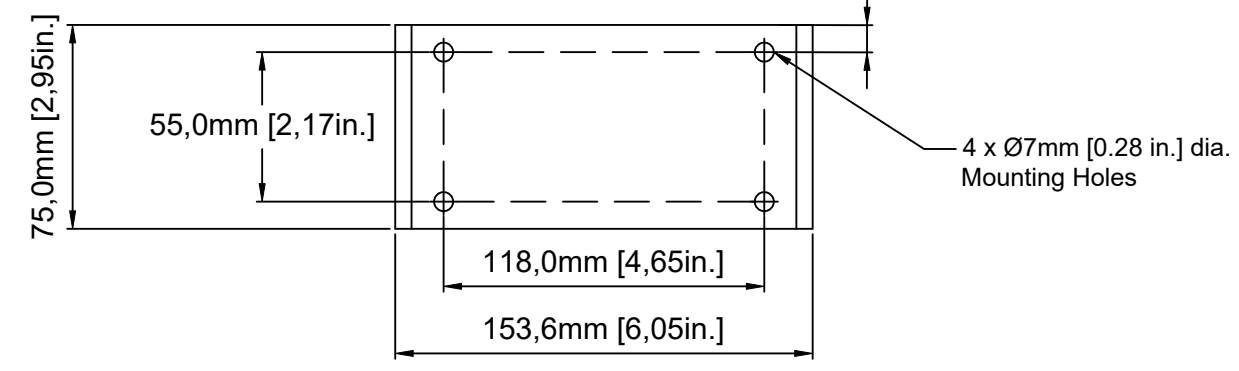
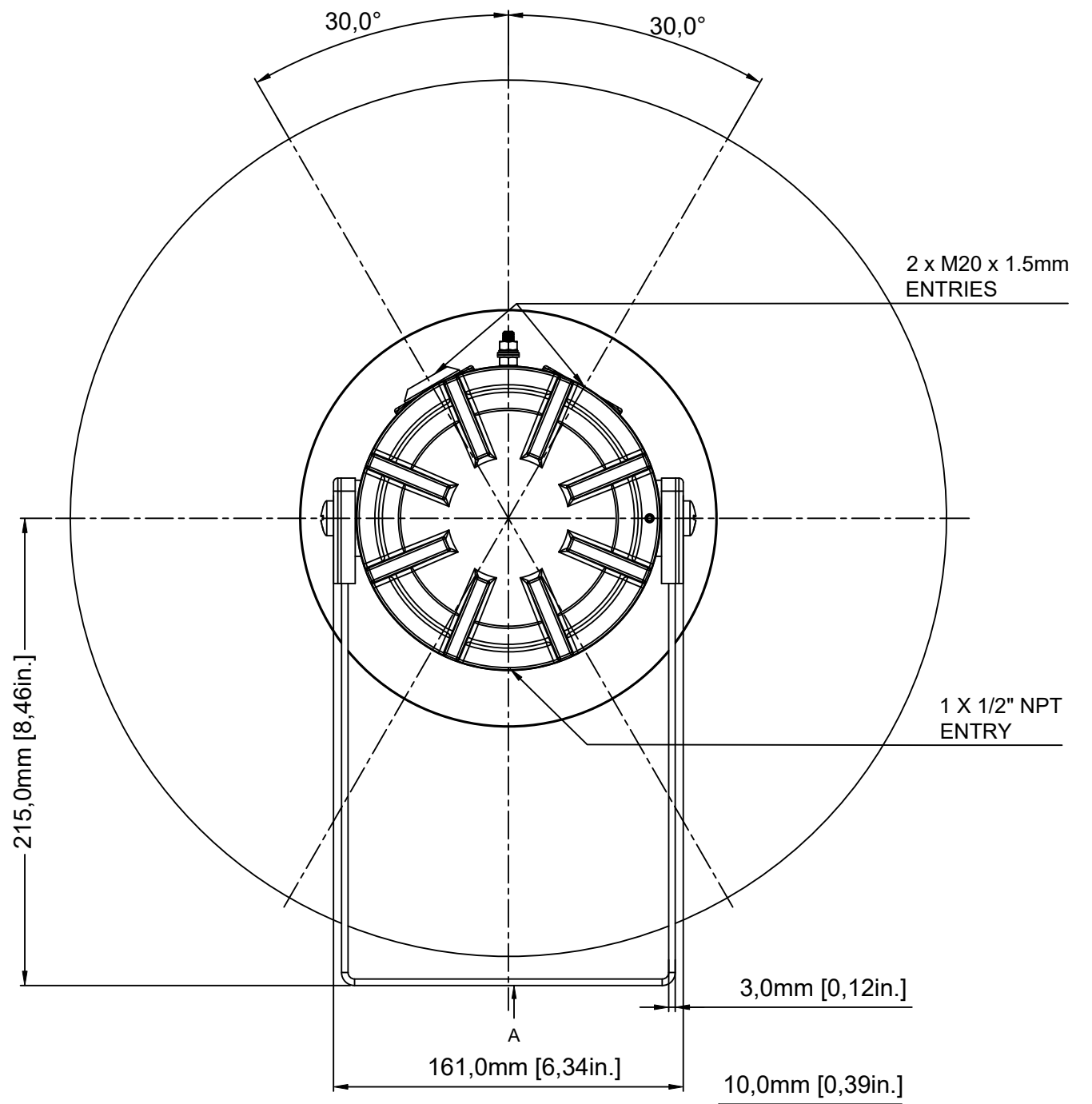
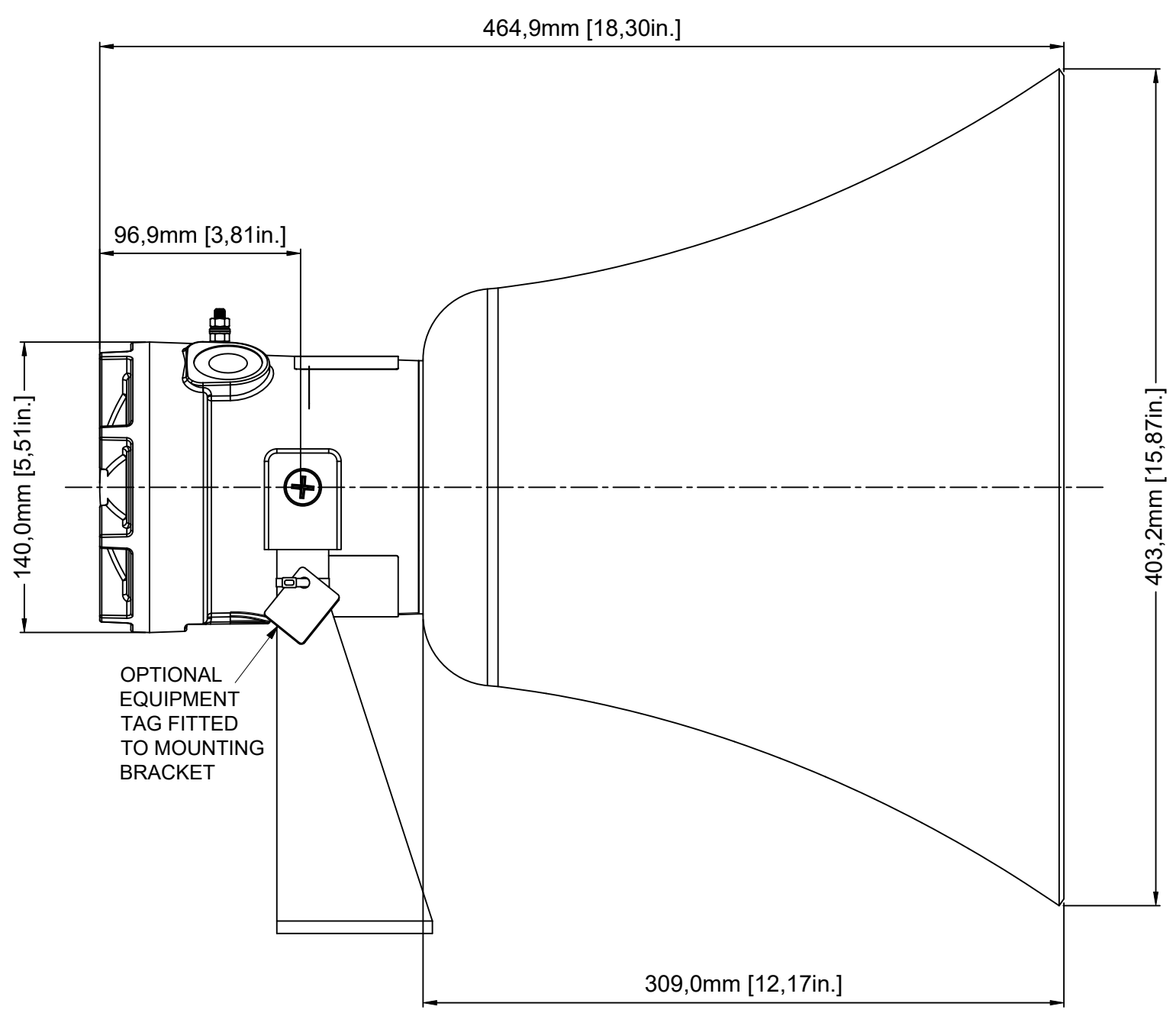


ISSUE	MOD No.	INITIAL/DATE
A		INTRODUCTION RSR 15-10-2021



E2S PART NO.	DESCRIPTION	DATA REFERENCE
D1xL2H...	D1xL2 25W PA LOUDSPEAKER (Ex d)	1.22.175
D1xS2H...	D1xS2 ALARM SOUNDERS ( Ex d)	1.22.155

DRAWING TO BS8888:2000 GEOMETRIC TOLERANCES TO ISO1101:1983 LINEAR DIMENSIONAL TOLS ANGULAR DIMENSIONAL TOLS	DRAWN R. S. RAIT	DATE 22-04-2020	SURFACE FINISH	WEIGHT (Kg)	THIS DRAWING AND ANY INFORMATION OR DESCRIPTIVE MATTER THEREIN IS COMMUNICATED IN CONFIDENCE AND IS THE COPYRIGHT PROPERTY OF EUROPEAN SAFETY SYSTEMS LTD. NEITHER THE WHOLE OR ANY EXTRACT MAY BE DISCLOSED, LOANED, COPIED OR USED FOR MANUFACTURING OR TENDERING PURPOSES WITHOUT THEIR WRITTEN CONSENT.	 EUROPEAN SAFETY SYSTEMS LTD IMPRESS HOUSE MANSELL ROAD ACTON LONDON W3 7QH WWW.E2S.COM	ALL DIMENSIONS IN MM IF IN DOUBT, ASK - DO NOT SCALE		A2
	CHECKED B. ISARD	DATE 22-04-2020	MATERIAL	TITLE D1x S2H/L2H Ex d RANGE - SOUNDER OUTLINE					
	APPROVED R. N. POTTS	DATE 22-04-2020	ALTERNATIVE MATERIAL	SCALE 1:2			SHEET 1 OF 1		DRAWING NUMBER D190-05-121
STANDARDS D1x					© EUROPEAN SAFETY SYSTEMS LTD. AS PER LATEST DATE OF ISSUE SHOWN ABOVE				