

Part number

CX 04 BF



Female modular insert, Mixo Bus series,
coaxial, 4 poles, 10 A 50 V 0,8 kV 3, shielded

Product description

Product type	Modular insert
Series	Mixo Bus
Connection type	Coaxial
Gender	Female
N. of poles	4 poles
Specification	Shielded

Technical data

Current	10 A
Voltage	50 V
Rated impulse withstand voltage	0,8 kV
Pollution degree	3
Rated voltage according to UL/CSA	50 V
IP degree of protection	IP20 without enclosure, IP65/IP66/IP68/IP69 with enclosure

Further technical details

Characteristics according to EN 61984	10A 50V 0.8kV 3
Insulation resistance	≥ 10 GΩ
Contact resistance	≤ 3 mΩ
Weight	25,00 g
Operating temperature range (min, max)	-40°C ... +85°C
UL 94 flammability rating	V-0

Material properties

Main material	Polycarbonate
Colour	RAL 7032 grey
RoHs conformity	Compliant
China RoHs - EFUP	E
REACH SVHC substances	No

Approvals / Standards

Reference standard	EN 61984:2009-06
Certifications	CSA, CQC, DNV-GL, EAC
UL	ECBT2
cUL	ECBT8

General ordering information

EAN13 code	8015747095983
eCl@ss 8.1	27440205
ETIM 7.0	EC000438

Packaging Information

Packaging weight	0,30 kg
Packaging description	Carton box
Packaging quantity	10 Pcs
Packaging EAN code	8015747095990
Sub-packaging length	185,00 mm
Sub-packaging height	40,00 mm
Sub-packaging width	155,00 mm
Sub-packaging weight	0,03 kg
Sub-packaging volume	1,15 dm ³
Sub-packaging description	Plastic bag
Sub-packaging quantity	1 Pcs
Sub-packaging EAN barcode	8015747096003

Part number

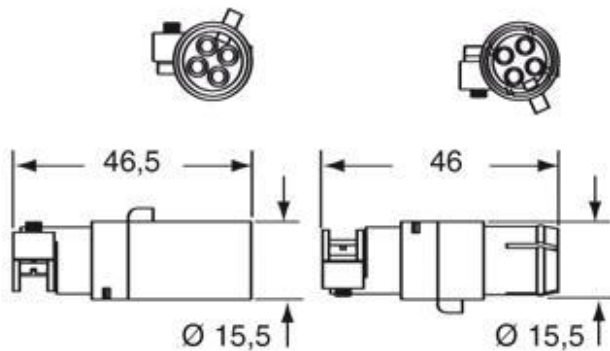
CX 04 BF



Catalogue drawings

CX 04 BF

CX 04 BM



Notes

CX 04 B inserts:

- characteristics according to EN 61984:
(10A 50V 0,8kV 3)

the modular inserts must be installed in suitable frames which in turn are installed in traditional housings or COB panel support

Dimensions shown in mm are not binding and may be changed without notice.
