



SP628 Specifications

- Cable jacket diameter 0.138 - 0.189 in. (3.50 - 4.80mm).
- 28 AWG stranded or solid conductor maximum insulated diameter 0.026 in. (0.66mm).
- Panduit recommends T568B wiring scheme for use with cable constructed with the brown pair opposing the orange pair.

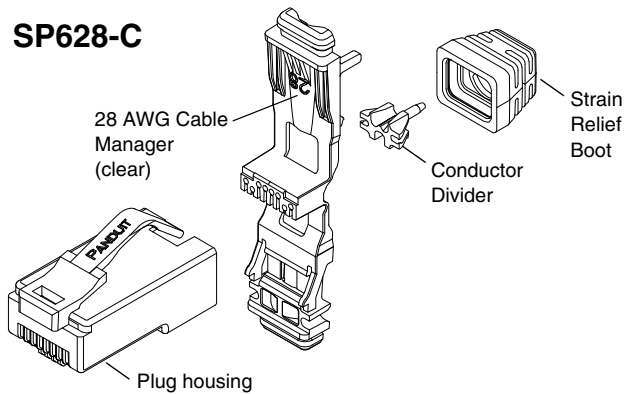
Wiring Sequence

Pin #	8	7	6	5	4	3	2	1
T568B	BRN	BRN/WHT	GRN	BLU/WHT	BLU	GRN/WHT	ORG	ORG/WHT
T568A	BRN	BRN/WHT	ORG	BLU/WHT	BLU	ORG/WHT	GRN	GRN/WHT

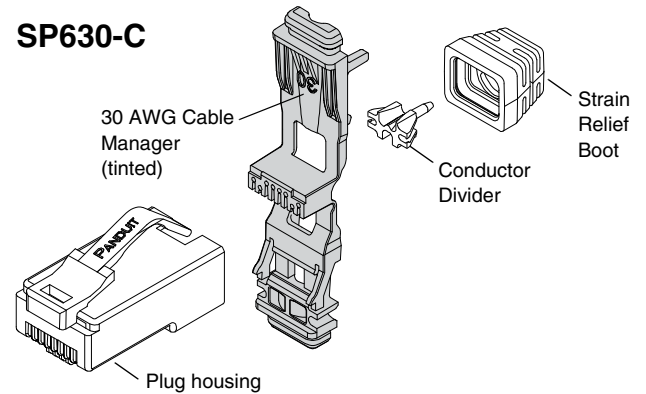
SP630 Specifications

- Cable jacket diameter 0.122 - 0.130 in. (3.10 - 3.3mm).
- 30 AWG stranded maximum insulated diameter 0.021 in. (0.53mm).
- Panduit recommends T568B wiring scheme for use with cable constructed with the brown pair opposing the orange pair.

SP628-C

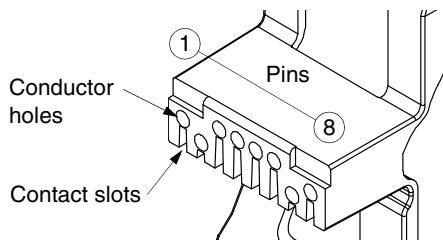


SP630-C



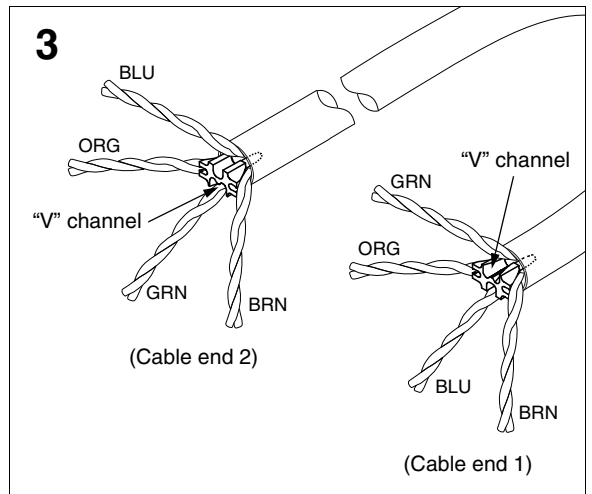
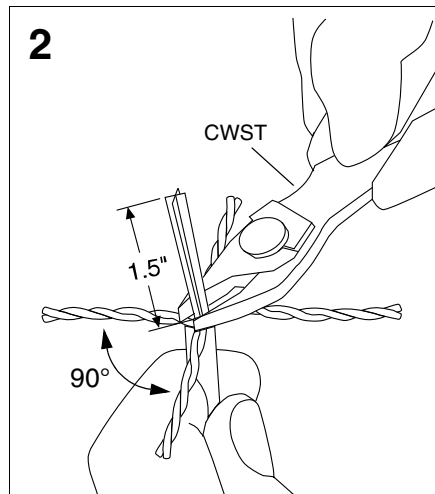
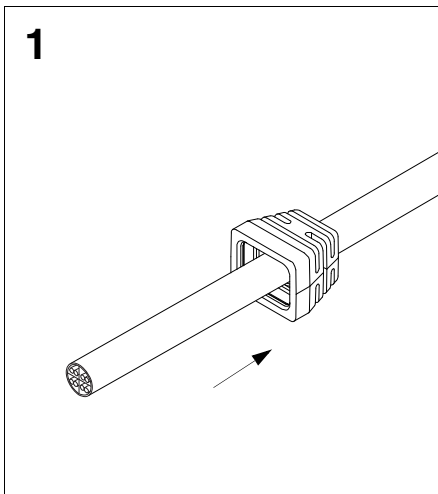
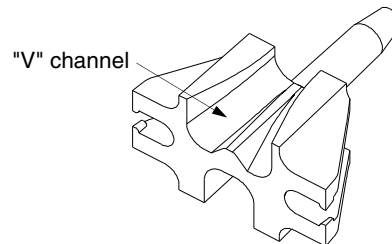
Cable Manager

Conductor holes and Contact Slots



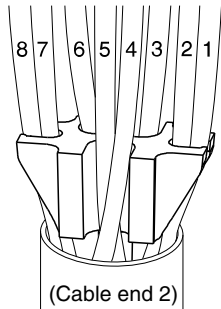
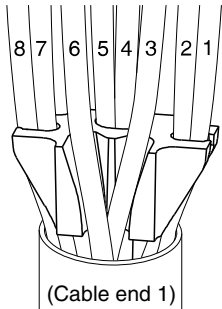
Conductor Divider

Conductor slots and "V" channel

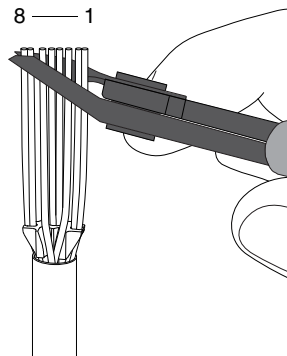


4 Wiring Sequence

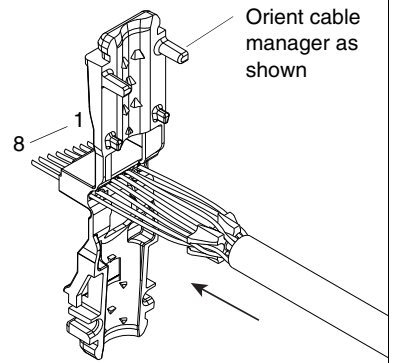
Pin #	8	7	6	5	4	3	2	1
T568B	BRN	BRN/WHT	GRN	BLU/WHT	BLU	GRN/WHT	ORG	ORG/WHT
T568A	BRN	BRN/WHT	ORG	BLU/WHT	BLU	ORG/WHT	GRN	GRN/WHT



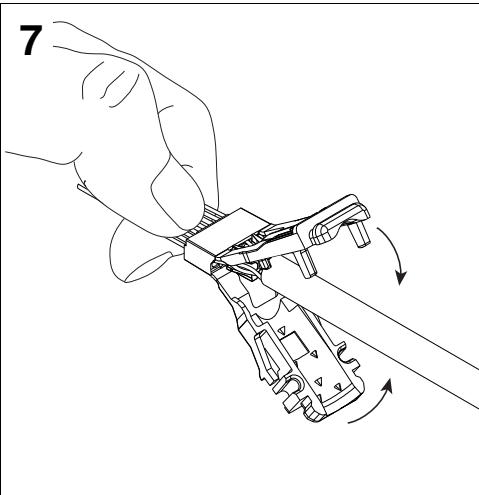
5



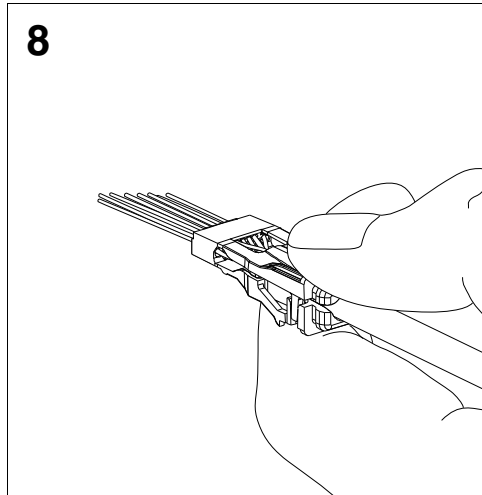
6



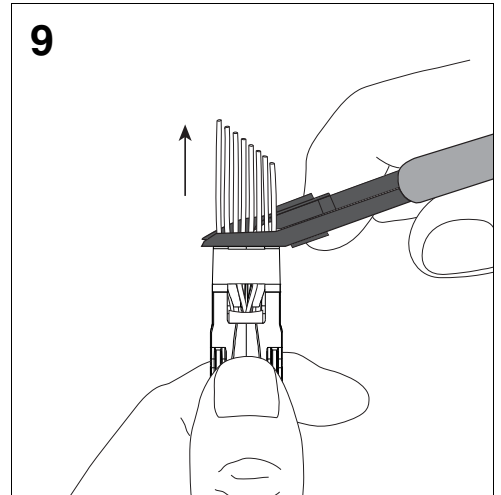
7



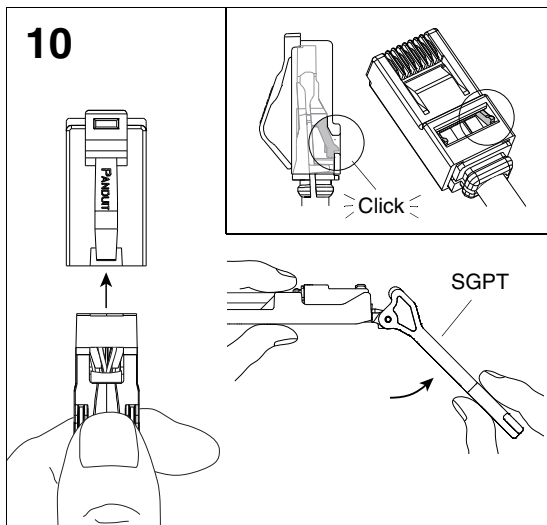
8



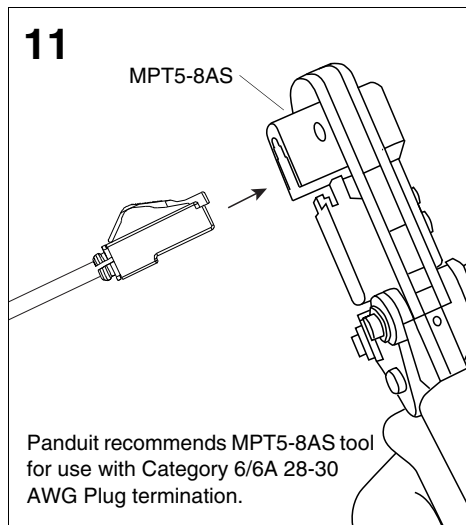
9



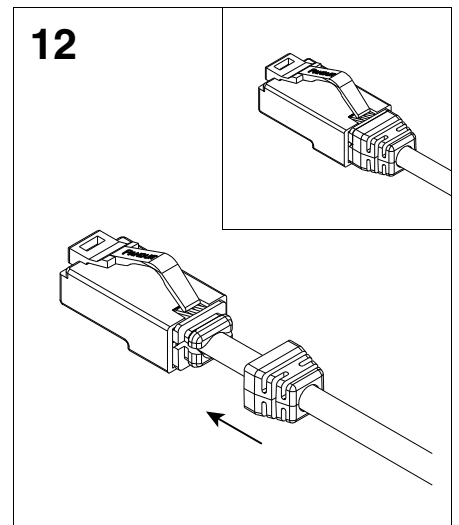
10



11



12



For Instructions in Local Languages and Technical Support:

www.panduit.com/resources/install_maintain.asp

PANDUIT

www.panduit.com

E-mail: techsupport@panduit.com

Phone: 866-405-6654