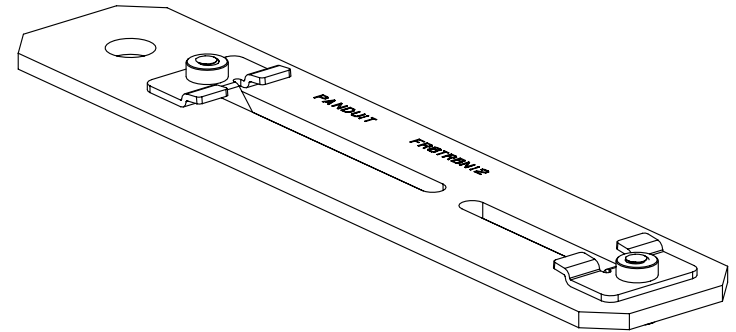
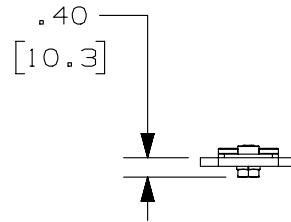
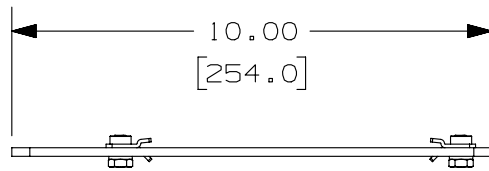
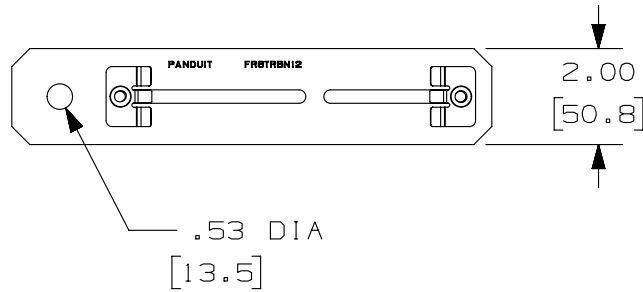


THIS COPY IS PROVIDED ON A RESTRICTED BASIS AND IS NOT TO BE USED IN ANY WAY DETRIMENTAL TO THE INTERESTS OF PANDUIT CORP.

| | |
|-------------------------|-----------------------------|
| PANDUIT PART NUMBER | WEIGHT |
| FR6TRBN12 FR6TRBN12M | 1.11 LB/EACH (504g/EACH) |

NOTES:

1. SEE CURRENT CATALOG FOR ADDITIONAL PART SUFFIXES TO INDICATE PACKAGE QUANTITY.
2. THE FIBERRUNNER 4x4 AND 6x4 QUIKLOCK NEW THREADED ROD BRACKET IS USED TO SUPPORT THE FIBERRUNNER 4x4 AND/OR 6x4 CABLE ROUTING SYSTEMS FROM A SECTION OF NEW 1/2" (M12) THREADED ROD (NOT INCLUDED).
3. THE FIBERRUNNER 4x4 AND 6x4 QUIKLOCK NEW THREADED ROD BRACKET INCLUDES:
ONE (1) BRACKET ASSEMBLY,
TWO (2) 1/2 HELICAL SPRING LOCKWASHERS,
TWO (2) 1/2-13 HEAVY HEX NUTS (FR6TRBN12 ONLY),
TWO (2) M12x1.75 HEX NUTS (FR6TRBN12M ONLY)
4. FINISH COLOR: BLACK (EXCEPT HARDWARE)
5. DIMENSIONS IN PARENTHESES ARE IN METRIC.



| 2 | 05-13-13 | JBN | RTFI | RN | I. UPDATED DRAWING BORDER & TITLE BLOCK | | | | | 37585-25 |
|-----|----------|-----|------|-----|---|-----|--|--|--|----------|
| REV | DATE | BY | CHK | APR | DESCRIPTION | ECN | | | | |

| | | | | | | | | | | |
|--|----------|-----|------|------------|------------------------|--|--|--|--|---|
| TITLE FIBERRUNNER 4X4 AND 6X4 QUIKLOCK NEW THREADED ROD BRACKET 1/2" (M12) THREADED ROD FR6TRBN12 & FR6TRBN12M CUSTOMER DRAWING | | | | | | | | | | |
| ITEM REVISION NAME D37585BC/01 | | | | | | | | | | |
| DATASET FILE NAME D37585BC_DC_FR6TRBN12/01B | | | | | | | | | | |
| UNLESS OTHERWISE SPECIFIED, DIMENSIONAL TOLERANCES ARE: IN (mm) | | | | | | | | | | |
| .X ± .XX ± .03 [.8] | | | | | .XXX ± ANGLES ± | | | | | |
| | | | | | THIRD ANGLE PROJECTION | | | | | |
| MATERIAL: STEEL | | | | | | | | | | |
| DRAWING NUMBER: 37585-25 | | | | | | | | | | |
| MSO | 05-11-00 | CVV | NONE | SHT 1 OF 1 | | | | | | A |

D101000DA/15