

# SQUARE D Instruction Bulletin

Bulletin No. 50006-365-13

April, 1994

Raleigh, NC, U.S.A.

## Reversing Contactors LC2- D09..D32

### INTRODUCTION

This Instruction Bulletin illustrates reversing contactors, interface modules and mounting. All other pertinent information is located inside the enclosure.



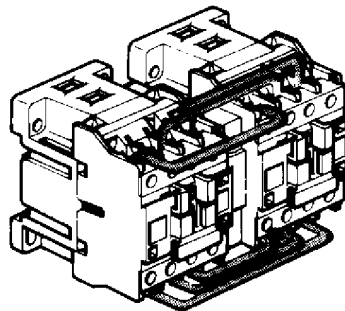
## DANGER

#### HAZARDOUS VOLTAGE.

Disconnect all power before working on equipment.  
Electrical shock will cause severe injury or death.

#### TENSION DANGEUREUSE.

Coupez l'alimentation avant de travailler sur le produit.  
Electrocution peut causer de sévères blessures ou la mort.



LC2 D0911  
LC2 D1211  
LC2 D1811  
LC2 D2511  
LC2 D3211

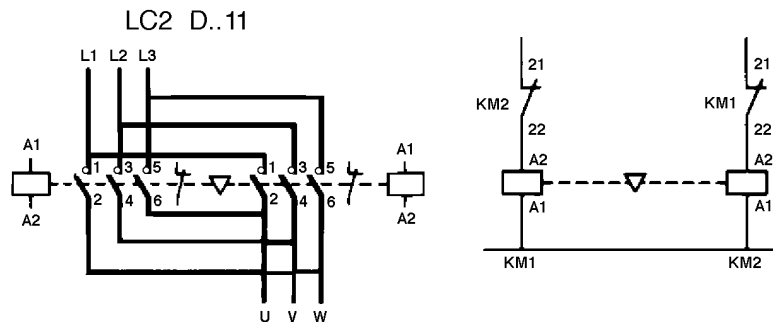
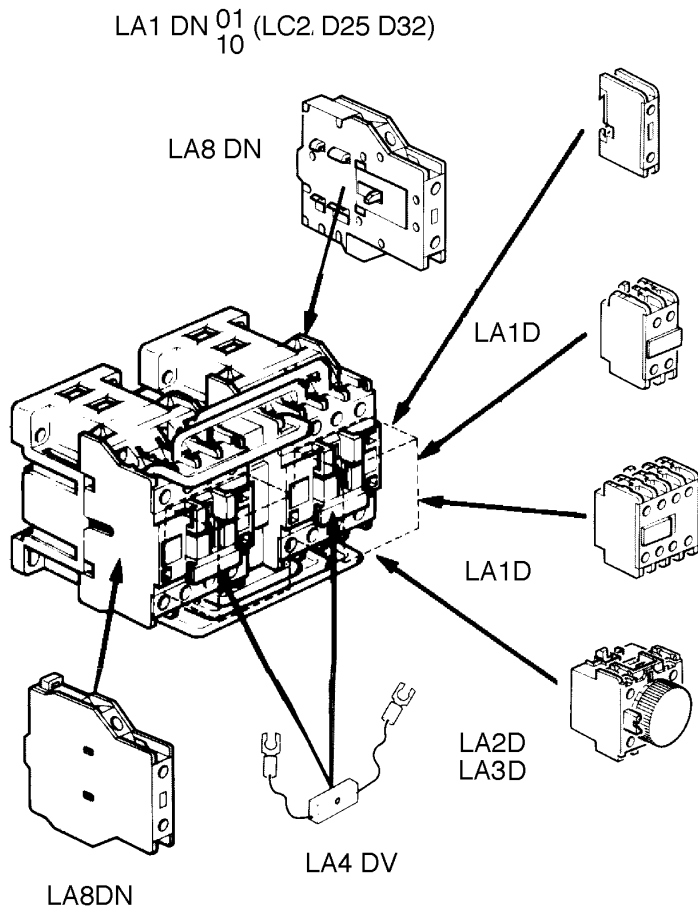


Figure 1 AC Reversing Contactors and Power Connections

Table 1 Selecting Interface Modules for Reversing Contactors

LC2		VOLTAGE RANGE	LA1 D•	LA8 DN		
			LA2 D•			
D09...D32	50-60 Hz	80 to 110%	•			
		85 to 110%	•	•	•	•
	50 Hz 60 Hz	80 to 110%	•	•	•	•
			•	•	•	•



AUXILIARY CONTACTS

LA1 DN10	1NO
LA1 DN01	1NC
LA1 DN11	1NO+1NC
LA1 DN20	2NO
LA1 DN02	2NC
LA1 DN22	2NO+2NC
LA1 DN13	1NO+3NC
LA1 DN40	4NO
LA1 DN04	4NC
LA1 DN31	3NO+1NC
LA1 DC22	2NO+2NC
LA1 DX20 (1)	2NO
LA1 DZ40 (1)	2NO+2NO
LA1 DZ31 (1)	1NO+1NC+2NO
LA1 DY20 (1)	2NO

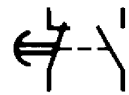
LA8 DN11	(2) 1NO+1NC
LA8 DN20	(2) 2NO

PILOT LIGHT

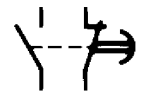
LA4 DV	(1)	
--------	-----	--

TIMING DELAY

LA2 DT0	0.1 to 3 sec
LA2 DT2	0.1 to 30sec
LA2 DS2	1 to 30 sec
LA2 DT4	10 to 180 sec



LA3 DR0	1 to 3 sec
LA3 DR2	1 to 30 sec
LA3 DR4	100 to 180 sec

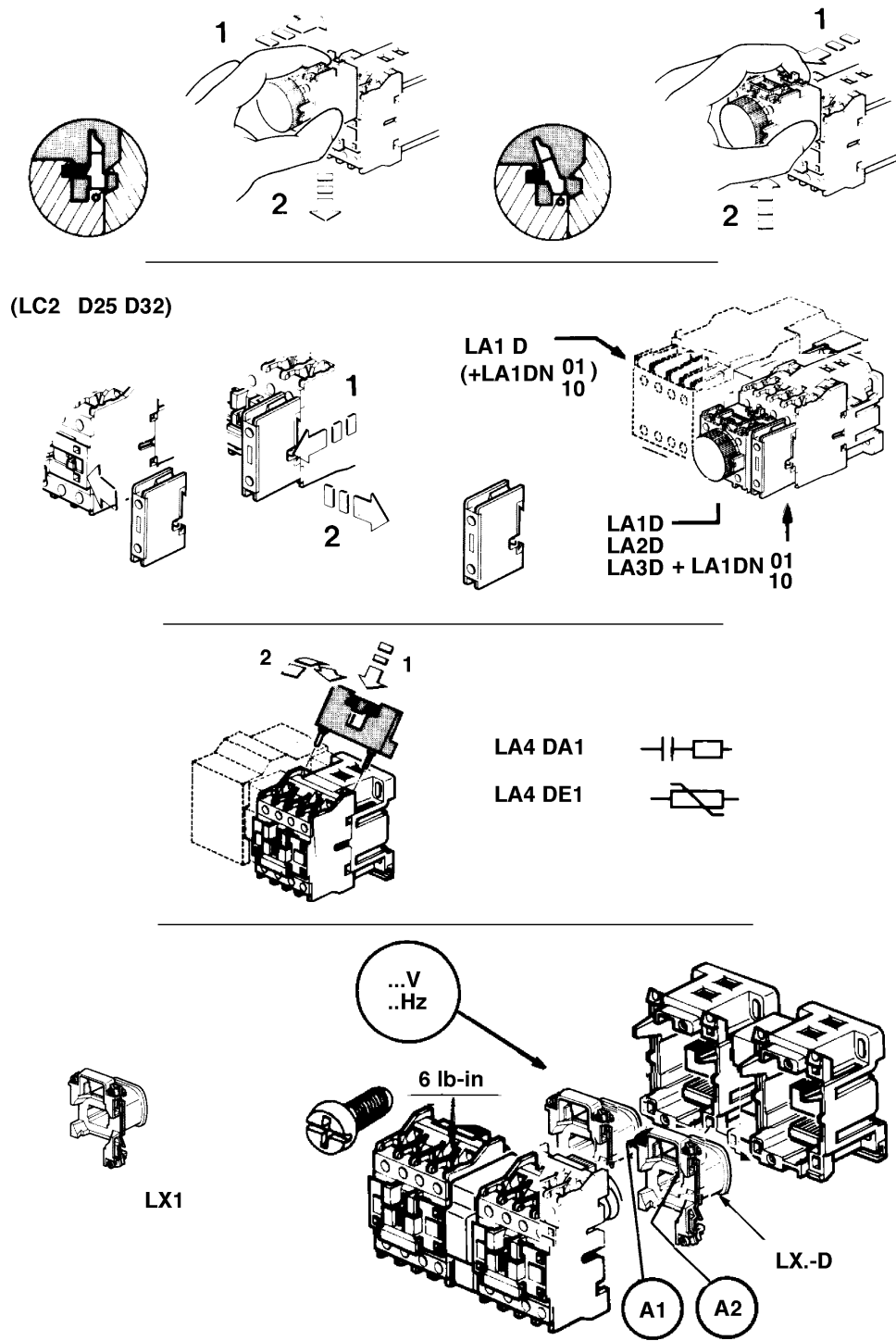


(1) Refer to Interface Modules and Accessories  
 (2) Refer to Figure 4 for Mounting

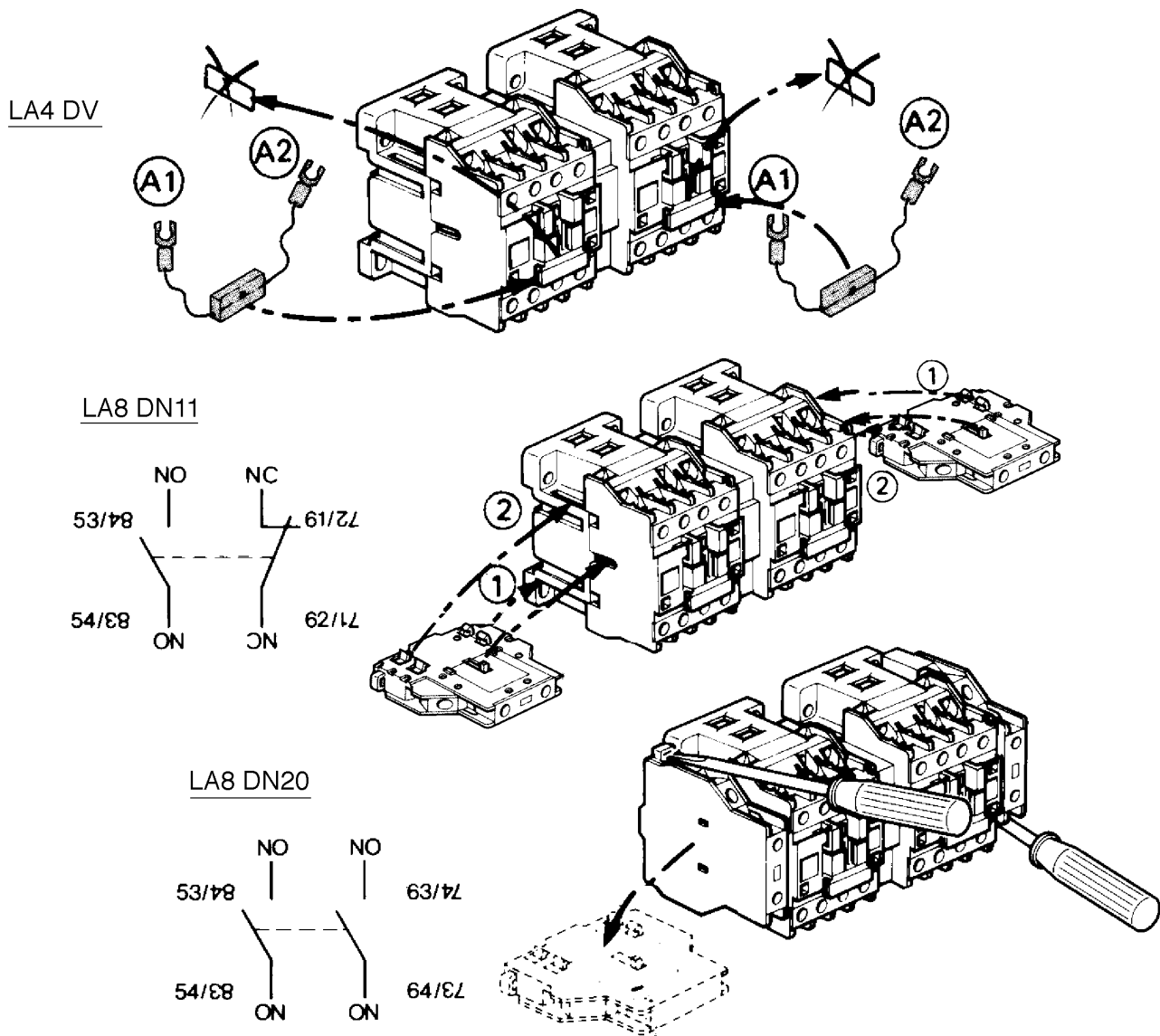
**Figure 2 Interface Modules**

**INTERFACE MODULES AND ACCESSORIES**

- LA1 DX/DY/DZ - Dust Tight
- LA6 DK - Mechanical Latch "Coil"
- LA4 DF/DW/DL - Interface Modules "Amplifier"
- LA4 DA/DE - Coil Suppressors
- LA4 DM - Three position accessory (Auto O Man)
- LA4 DT/DR - Delay on coil, energizing or de-energizing



**Figure 3** Mounting Interface Modules, Top Mounted Contact Blocks and Coil Suppressors to Contactors



**Figure 4 Mounting of Side Mounted Auxiliary Contact Block and Pilot Light to Contactor**

**PLEASE NOTE:** Electrical equipment should be serviced only by qualified electrical maintenance personnel, and this document should not be viewed as sufficient instruction for those who are not otherwise qualified to operate, service or maintain the equipment discussed. Although reasonable care has been taken to provide accurate and authoritative information in this document, no responsibility is assumed by Square D for any consequences arising out of the use of this material.

**NOTA:** L'entretien doit être effectué par du personnel qualifié. Notez que ce bulletin ne contient pas d'instruction suffisante pour les personnes qui n'ont pas la qualification requise pour intervenir sur ces équipements. Bien que tout le soin nécessaire ait été apporté à la rédaction de ce bulletin afin qu'il fournisse des informations exactes et précises, Square D décline toute responsabilité quant aux conséquences éventuelles qui pourraient subvenir suite à l'utilisation de ce matériel.