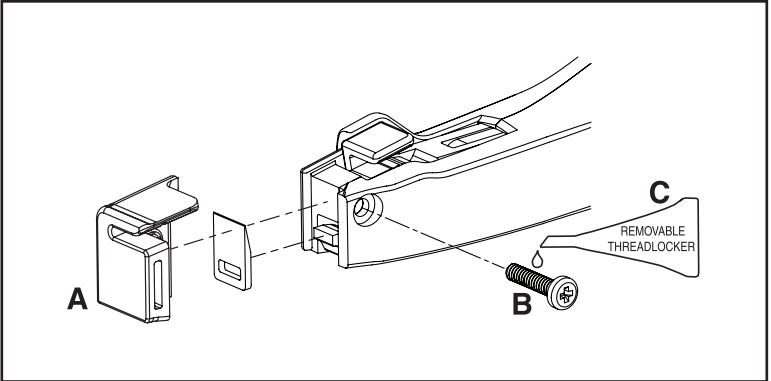


INSTALLATION INSTRUCTIONS FOR: GTS-E, GS2B-E, GTH-E, GS4H-E and PTS Tools

© Panduit Corp. 2020



***WARNING:** For PTS, disconnect air hose from air source and verify that tool does not actuate.

ENGLISH

EXTENDED BLADE GUARD REPLACEMENT KIT INCLUDES:

- A: Extended Blade Guard
 - B: Screw
 - C: Removable Threadlocker
- For MSDS (Material Safety Data Sheet), see: www.loctite.com

PANDUIT

www.panduit.com

Technical Support:
1-800-777-3300

Email: techsupport@panduit.com

Panduit Europe, EMEA Service Center, Almelo, Netherlands
Tel.: +31 (0) 546-580-452 • Fax.: +31 (0) 546-580-441

EU Website: www.panduit.com/emea
EU E-mail: emeatoolservicecenter@panduit.com