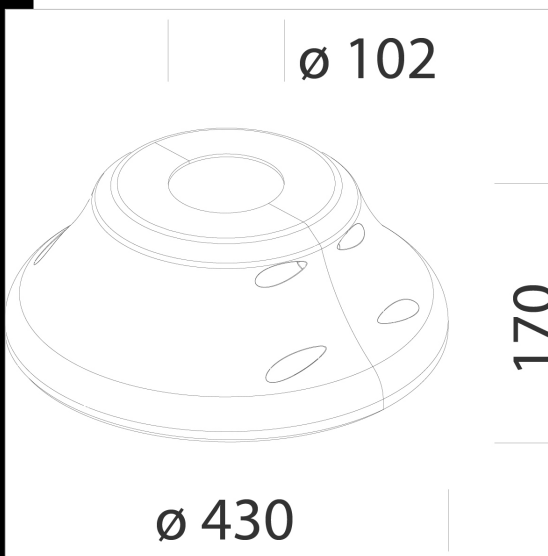
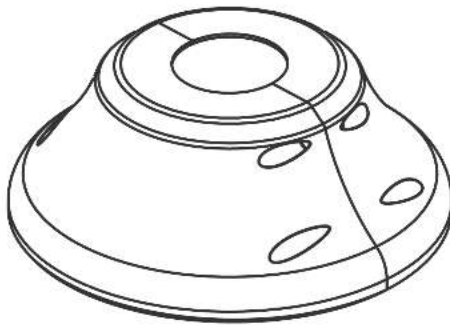


222 Pole base cover 102

To be used as base pole cover acc. 1485/1487

Download

DXF 2D
- 222-102.dxf



Code	Kg	WTot	Colour
991315-00	3,50	0 W	GRAPHITE

Pali



- 1487 poteau à enterrer -



- 1485 poteau avec base $\varnothing 102$



- 1485 poteau avec base -



- 1487 poteau à enterrer $\varnothing 102$

The reported luminous flux is the flux emitted by the light source with a tolerance of $\pm 10\%$ compared to the indicated value. The W tot column indicates the total wattage absorbed by the system without exceeding 10% of the indicated