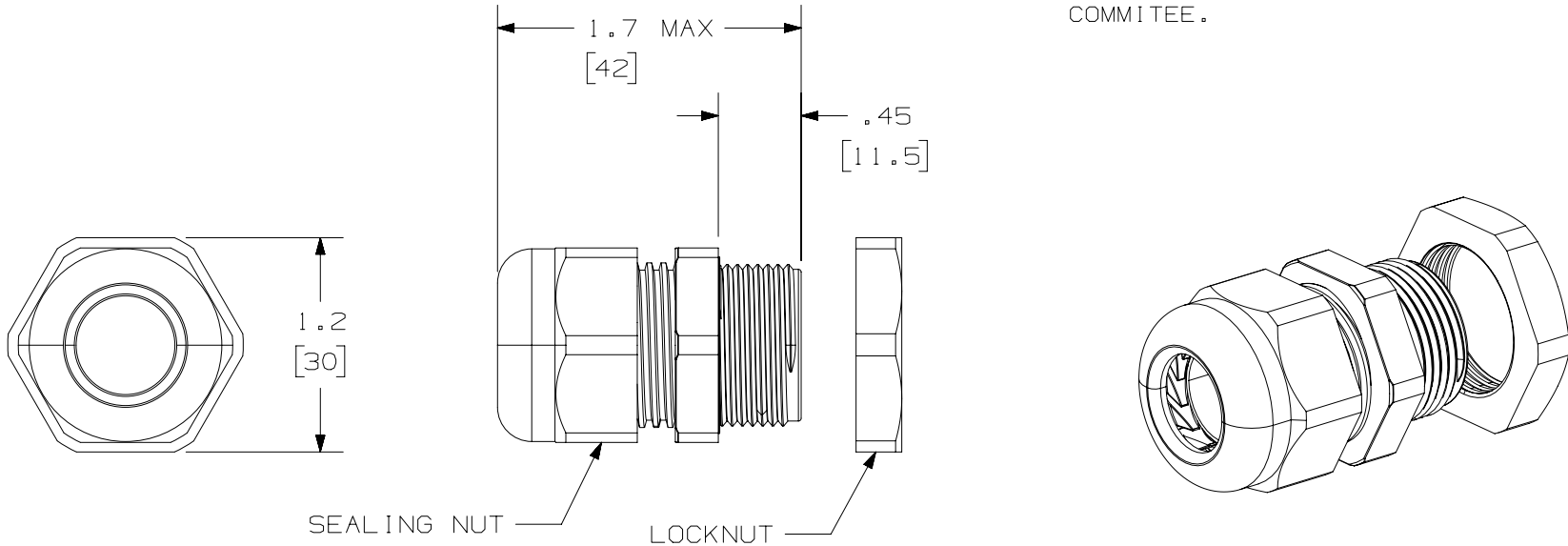


THIS COPY IS PROVIDED ON A RESTRICTED BASIS AND IS NOT TO BE USED IN ANY WAY DETRIMENTAL TO THE INTERESTS OF PANDUIT CORP.

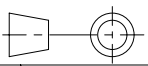
PANDUIT P/N	WEIGHT
FWMHSS-CG613	0.4 LBS EACH (17.0g EACH)

NOTES:

1. SEE CURRENT CATALOG FOR COMPLETE LIST OF PARTS APPLICABLE FOR USE WITH THIS PRODUCT.
2. DIMENSIONS IN PARENTHESES ARE METRIC.
3. MATERIAL: PLASTIC
4. SUGGESTED MOUNTING CLEARANCE HOLE DIAMETER: 0.88 (22.5).
5. ALL MATERIALS AND COMPONENTS USED MEET THE MATERIAL RESTRICTIONS OF RoHS, (EUROPEAN DIRECTIVE 2011/65/EC ON THE RESTRICTIONS OF HAZARDOUS SUBSTANCES) AS PROPOSED BY THE RoHS TECHNICAL ADAPTATION COMMITTEE.



00A	12-03-19	SAT	BONS	AW	INITIAL RELEASE				00174EWZ-DC
REV	DATE	BY	CHK	APR	DESCRIPTION				ECN

TITLE <b>CABLE GLAND 6mm - 13.9mm</b>									
CUSTOMER DRAWING									
ITEM REVISION NAME <b>00174EWZ/00</b>								<b>PANDUIT</b>	
DATASET FILE NAME <b>00174EWZ_DC/00A</b>									
UNLESS OTHERWISE SPECIFIED, DIMENSIONAL TOLERANCES ARE: IN (mm)								PART NO. <b>SEE TABLE</b>	
.x ± .1 [ 2.54 ]				.xxx ± .005 [ .127 ]				DRAWING NUMBER: <b>00174EWZ-DS</b>	
.xx ± .01 [ .25 ]				ANGLES ± 1°					
DRAWN BY <b>SAT</b>		DATE <b>11-26-19</b>		CHK <b>BONS</b>		SCALE <b>NONE</b>		THIRD ANGLE PROJECTION 	
					SHT 1 OF 1				
					SIZE <b>A</b>				

NGLOBAL\_ASIZE