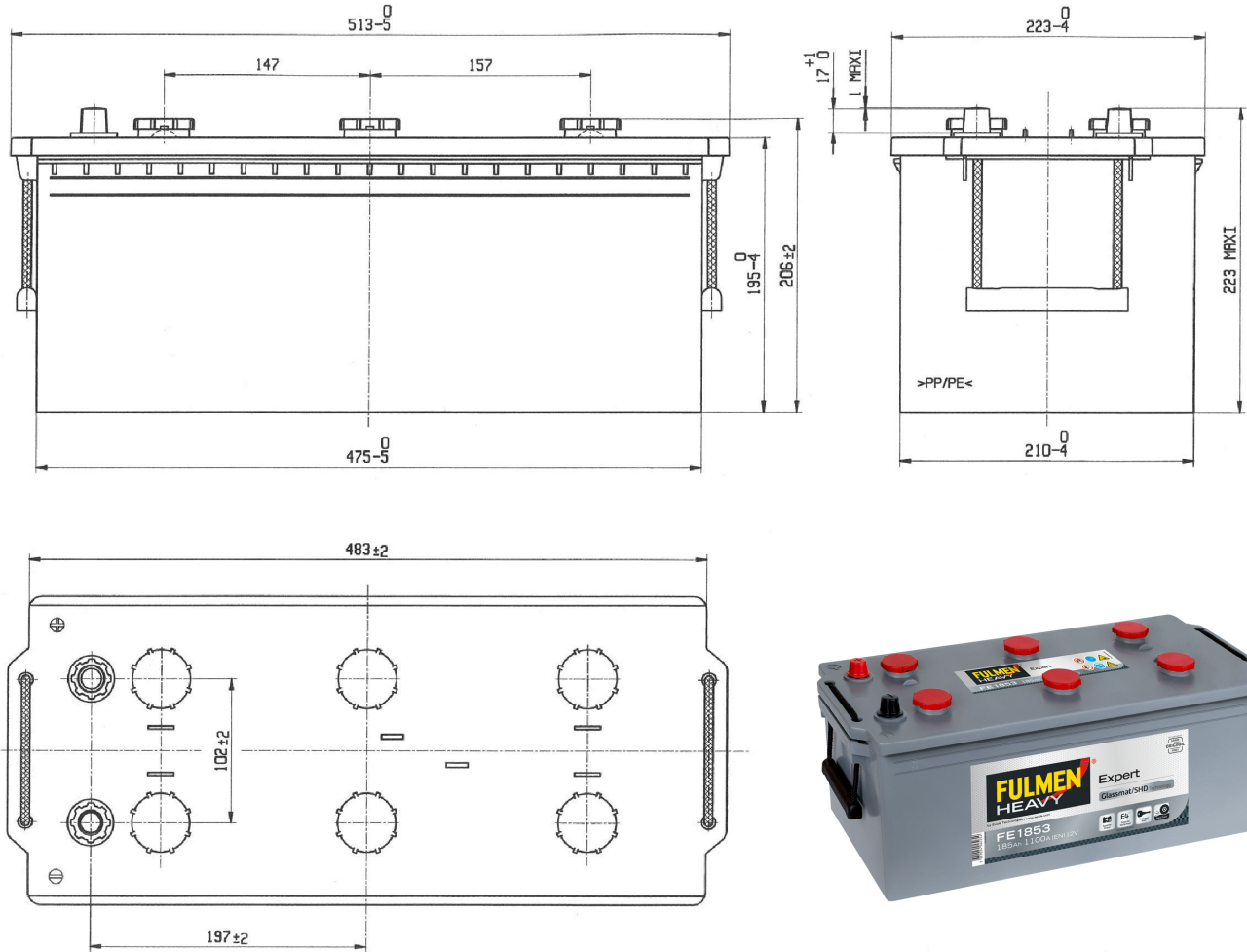


Central Article Code: D05110W08-D

ETN Code or Other:

Created: 12/03/2009

Modified: 10/07/2009



PERFORMANCES		CONTAINER	
Voltage (V):	12 V	Type:	D05 GREY MEDIUM
C20 (Ah):	185.0 20 h	Hold Down:	B0
Rc (min):	0	H. D. Adapter:	No
Cranking (A):	1100 EN	COVER	
Vibration:	V3 (35Hz/6g/20h)	Type:	Flat/Screw GREY MEDIUM
Endurance:	E4 (216 cycles@50%)	Polarity:	ETN 3
Charge:	WET	Terminals:	EN taper post
Technology:	Vented/Flooded	Terminal Adapter:	No
Grid :	Hybrid	SOCI:	No
WEIGHT AND STD. DIMENSIONS		Ventilation:	Independent
Battery Weight (kg):	49.29	Filter:	No
Volume acid (l):	10.82	Lateral Plug:	No
Length (mm):	513	PLUGS	
Width (mm):	223	Type:	6 x M27(STS) RED
Height (mm):	223	HANDLES	
		Type:	2 x Rope (Rigid holder) BLACK
		OTHERS	
		Degassing Tube:	No