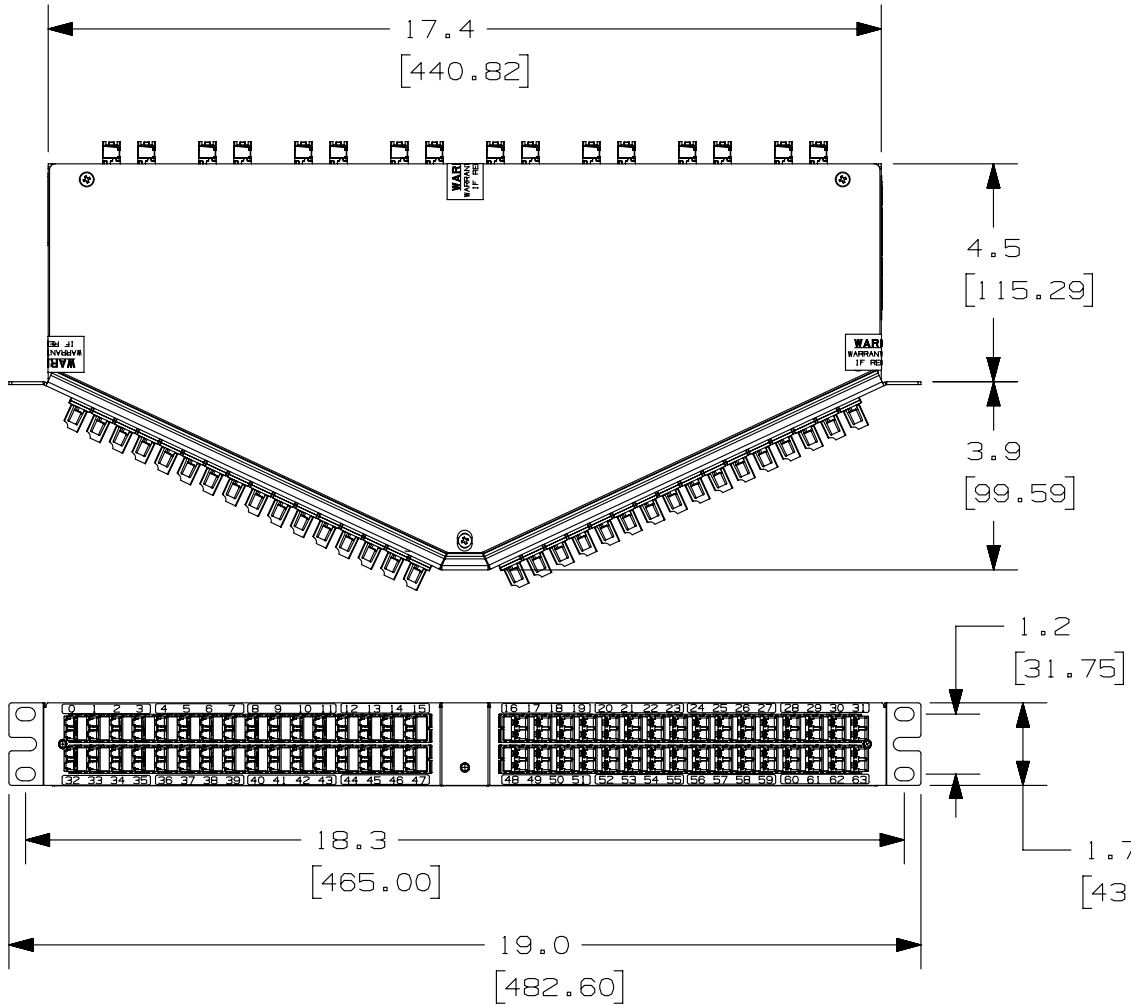
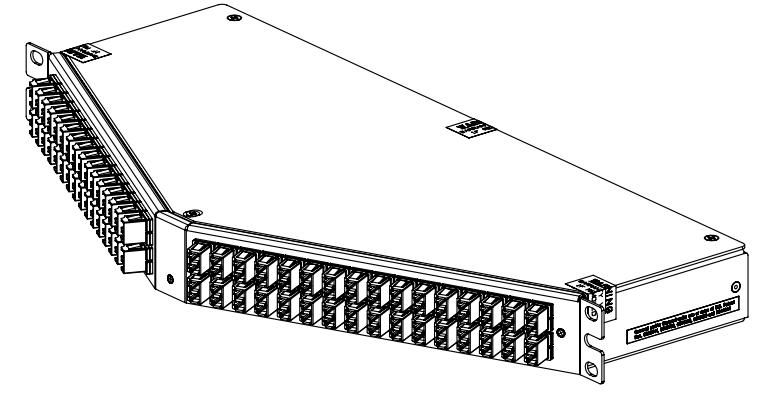


THIS COPY IS PROVIDED ON A RESTRICTED BASIS AND IS NOT TO BE USED IN ANY WAY DETRIMENTAL TO THE INTERESTS OF PANDUIT CORP.



- NOTES:
1. SEE CURRENT CATALOG FOR PART NUMBER SUFFIXES TO INDICATE COLOR AND/OR PACKAGE QUANTITIES.
 2. SEE CATALOG FOR A COMPLETE LIST OF PARTS APPLICABLE FOR USE WITH THIS PRODUCT.
 3. REFERENCE TIA-568-C.O. FOR DETAILS ON METHOD A CONNECTIVITY.
 4. MATERIALS:
 - A. FRONT PANEL: STEEL
 - B. BOX AND LID: ALUMINUM
 - C. ADAPTERS: COMPOSITE PLASTIC
 5. CASSETTE WEIGHT: 46.0oz (1300.0g)
 6. DIMENSIONS IN BRACKETS ARE METRIC
 7. ALL MATERIALS AND COMPONENTS USED MEET THE MATERIAL RESTRICTIONS OF RoHS, (EUROPEAN DIRECTIVE 2011/65/EC ON THE RESTRICTIONS OF HAZARDOUS SUBSTANCES) AS PROPOSED BY THE RoHS TECHNICAL ADAPTATION COMMITTEE.

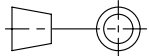


01	09-24-13	SAT	YMG		RELEASED TO PRODUCTION				12F193AB-DC			
REV	DATE	BY	CHK	APR	DESCRIPTION	ECN	DRAWN BY	DATE	CHK	SCALE	DRAWING NUMBER:	SIZE
							SAT	05-15-13	YMG	NONE	SHT 1 OF 3	A

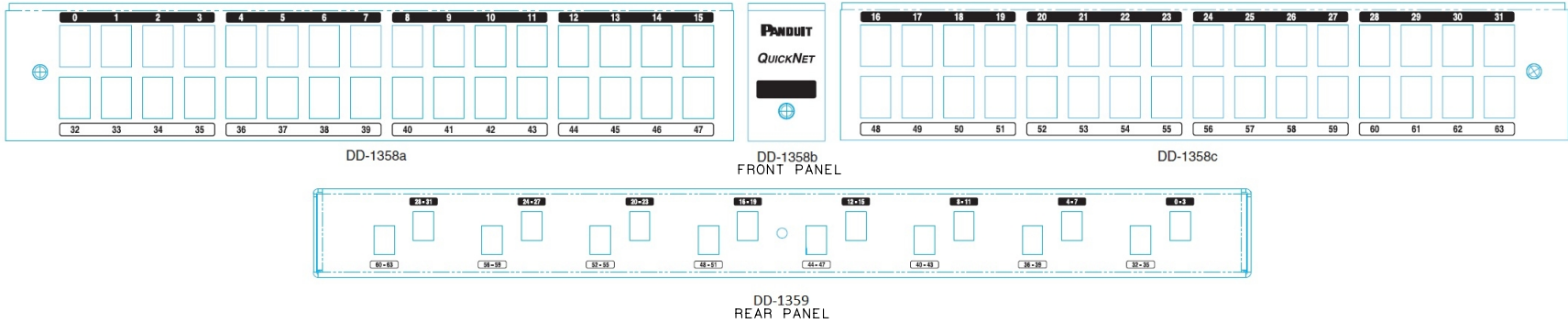
TITLE											
HDQ SERIES FIBER OPTIC ANGLED CASSETTES FOR BROCADE 64 PORTS (128 FIBERS)											
CUSTOMER DRAWING											
ITEM REVISION NAME											
12F193AB/02											
DATASET FILE NAME											
12F193AB_DC/02B											
UNLESS OTHERWISE SPECIFIED, DIMENSIONAL TOLERANCES ARE: IN (mm)											
.x ±						.xxx ± .010 (0.3)					
.xx ± .03 (0.8)						ANGLES ±					
THIRD ANGLE PROJECTION											
DRAWING NUMBER:											
12F193AB-DC											
DRAWN BY											
SAT											
DATE											
05-15-13											
CHK											
YMG											
SCALE											
NONE											
DRAWING NUMBER:											
SHT 1 OF 3											
SIZE											
A											

THIS COPY IS PROVIDED ON A RESTRICTED BASIS AND IS NOT TO BE USED IN ANY WAY DETRIMENTAL TO THE INTERESTS OF PANDUIT CORP.

TABLE 1 - STANDARD MPO TO LC 10 GbE OM3/OM4 ANGLED CASSETTE 1RU ANGLED PROFILE; 128-FIBER BROCADE-TYPE LABELING.	
PART NUMBER	DESCRIPTION
METHOD A	
F1ABXN-1B08-10S	OM3 FIBER; 8-FIBER MPO TO DUPLEX LC
F1ABXO-1B08-10S	OPTIMIZED OM3 FIBER; 8-FIBER MPO TO DUPLEX LC
F1ABZN-1B08-10S	OM4 FIBER; 8-FIBER MPO TO DUPLEX LC
F1ABZO-1B08-10S	OPTIMIZED OM4 FIBER; 8-FIBER MPO TO DUPLEX LC
MODIFIED METHOD A, PAIR FLIPPED	
F1ABXN-1B08-10F	OM3 FIBER; 8-FIBER MPO TO DUPLEX LC
F1ABXO-1B08-10F	OPTIMIZED OM3 FIBER; 8-FIBER MPO TO DUPLEX LC
F1ABZN-1B08-10F	OM4 FIBER; 8-FIBER MPO TO DUPLEX LC
F1ABZO-1B08-10F	OPTIMIZED OM4 FIBER; 8-FIBER MPO TO DUPLEX LC

					TITLE HDQ SERIES FIBER OPTIC ANGLED CASSETTES FOR BROCADE 64 PORTS (128 FIBERS)							
					CUSTOMER DRAWING							
					ITEM REVISION NAME 12F193AB/02				PANDUIT			
					DATASET FILE NAME 12F193AB_DC/02B							
					UNLESS OTHERWISE SPECIFIED, DIMENSIONAL TOLERANCES ARE: IN (mm) .x ± .xxx ± .010 (0.3) .xx ± .03 (0.8) ANGLES ±							
					DRAWING NUMBER: 12F193AB-DC							
01	09-24-13	SAT	YMG		RELEASED TO PRODUCTION	12F193AB-DC	 THIRD ANGLE PROJECTION					
REV	DATE	BY	CHK	APR	DESCRIPTION	ECN	DRAWN BY	DATE	CHK	SCALE	DRAWING NUMBER	SIZE
							SAT	05-15-13	YMG	NONE	SHT 2 OF 3	A

THIS COPY IS PROVIDED ON A RESTRICTED BASIS AND IS NOT TO BE USED IN ANY WAY DETRIMENTAL TO THE INTERESTS OF PANDUIT CORP.



								TITLE				
								HDQ SERIES FIBER OPTIC ANGLED CASSETTES FOR BROCADE 64 PORTS (128 FIBERS)				
								CUSTOMER DRAWING				
							ITEM REVISION NAME					
							12F193AB/02					
							DATASET FILE NAME					
							12F193AB_DC/02B					
							UNLESS OTHERWISE SPECIFIED, DIMENSIONAL TOLERANCES ARE: IN (mm)					
							.X ± .XXX ± .010 (0.3)					
							.XX ± .03 (0.8) ANGLES ±					
01	09-24-13	SAT	YMG		RELEASED TO PRODUCTION	12F193AB-DC						
							MATERIAL:					
							SEE NOTES SHEET 1					
							DRAWING NUMBER:					
							12F193AB-DC					
REV	DATE	BY	CHK	APR	DESCRIPTION	ECN	DRAWN BY	DATE	CHK	SCALE	DRAWING NUMBER	SIZE
							SAT	05-15-13	YMG	NONE	SHT 3 OF 3	A

2

1

2

1