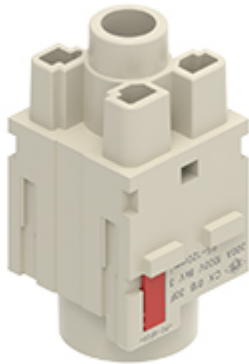


Part number

CX 01B 30F



Female modular insert, Mixo series, crimp connection, 1 pole, 2 modules, 300 A 1000 V 8 kV 3 - 1300 V DC

Product description

Product type	Modular insert
Series	Mixo
Connection type	Crimp connection
Gender	Female
N. of poles	1 pole
Size	2 modules
Specification	For C30 contacts (95-120 mm ²)

Technical data

Current	300 A
Voltage	1000 V
Rated impulse withstand voltage	8 kV
Pollution degree	3
Rated voltage according to UL/CSA	600 V
IP degree of protection	IP20 without enclosure, IP65/IP66/IP68/IP69 with enclosure

Further technical details

Characteristics according to EN 61984	300 A 1000 V 8 kV 3 - 1300 V DC 300 A 920/1600 8 kV 2
Mating cycles	≥ 500
Insulation resistance	≥ 10 GΩ
Contact resistance	≤ 0,2 mΩ
Weight	22,50 g
Operating temperature range (min, max)	-40 °C ... +125 °C
UL 94 flammability rating	V-0

Material properties

Main material	Polycarbonate
Colour	RAL 7032 grey
RoHs conformity	Compliant
China RoHs - EFUP	E
REACH SVHC substances	No

General ordering information

EAN13 code	8015747289818
eCl@ss 8.1	27440205
ETIM 7.0	EC000438

Packaging Information

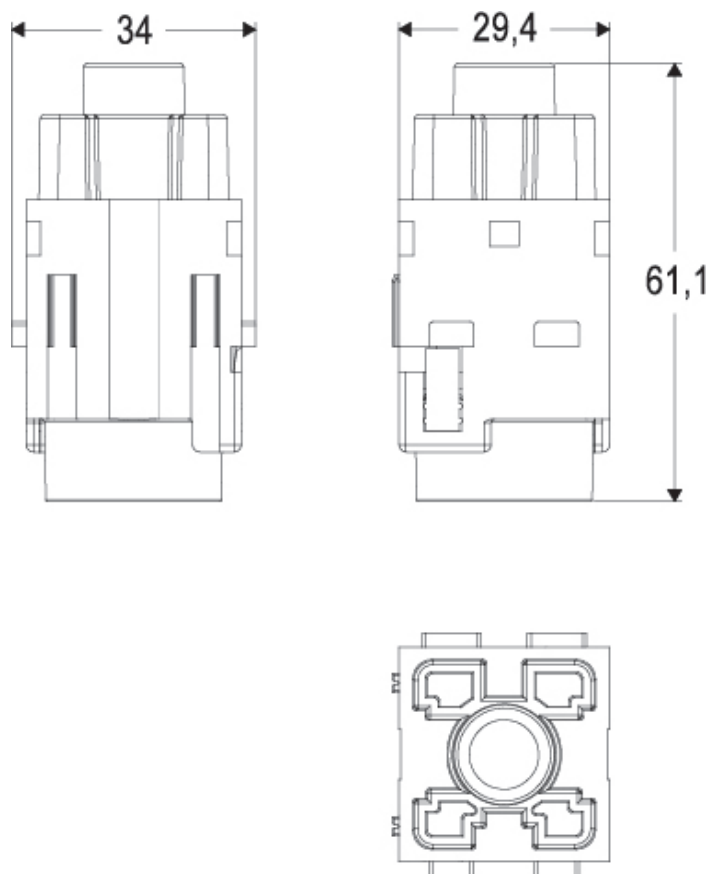
Packaging length	112,00 mm
Packaging height	95,00 mm
Packaging width	117,00 mm
Packaging weight	0,16 kg
Packaging volume	1,24 dm ³
Packaging description	Carton box
Packaging quantity	5 Pcs
Packaging EAN code	8015747289948
Sub-packaging weight	0,03 kg
Sub-packaging description	Plastic bag
Sub-packaging quantity	1 Pcs
Sub-packaging EAN barcode	8015747289955

Part number

CX 01B 30F



Catalogue drawings



Notes