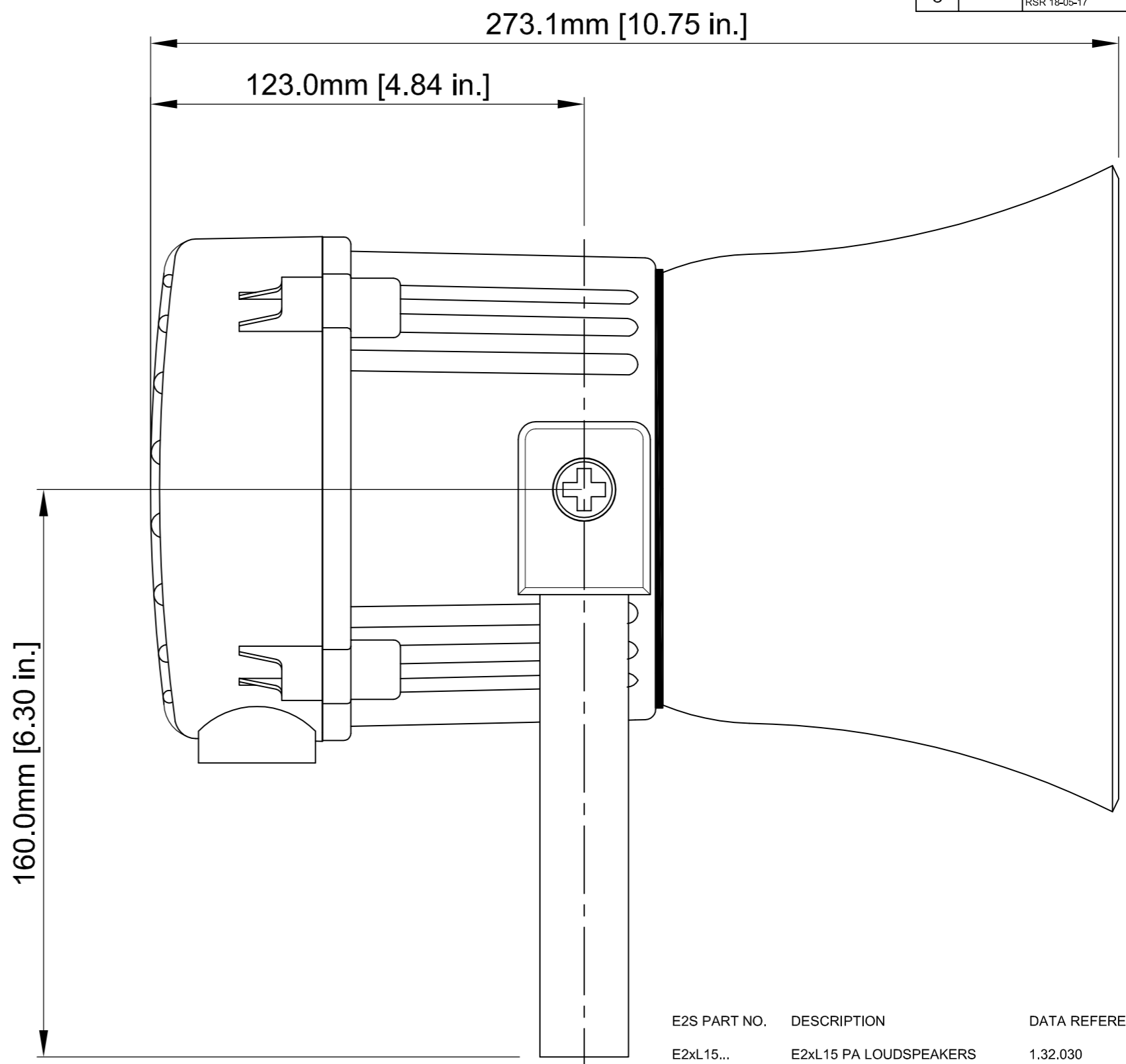
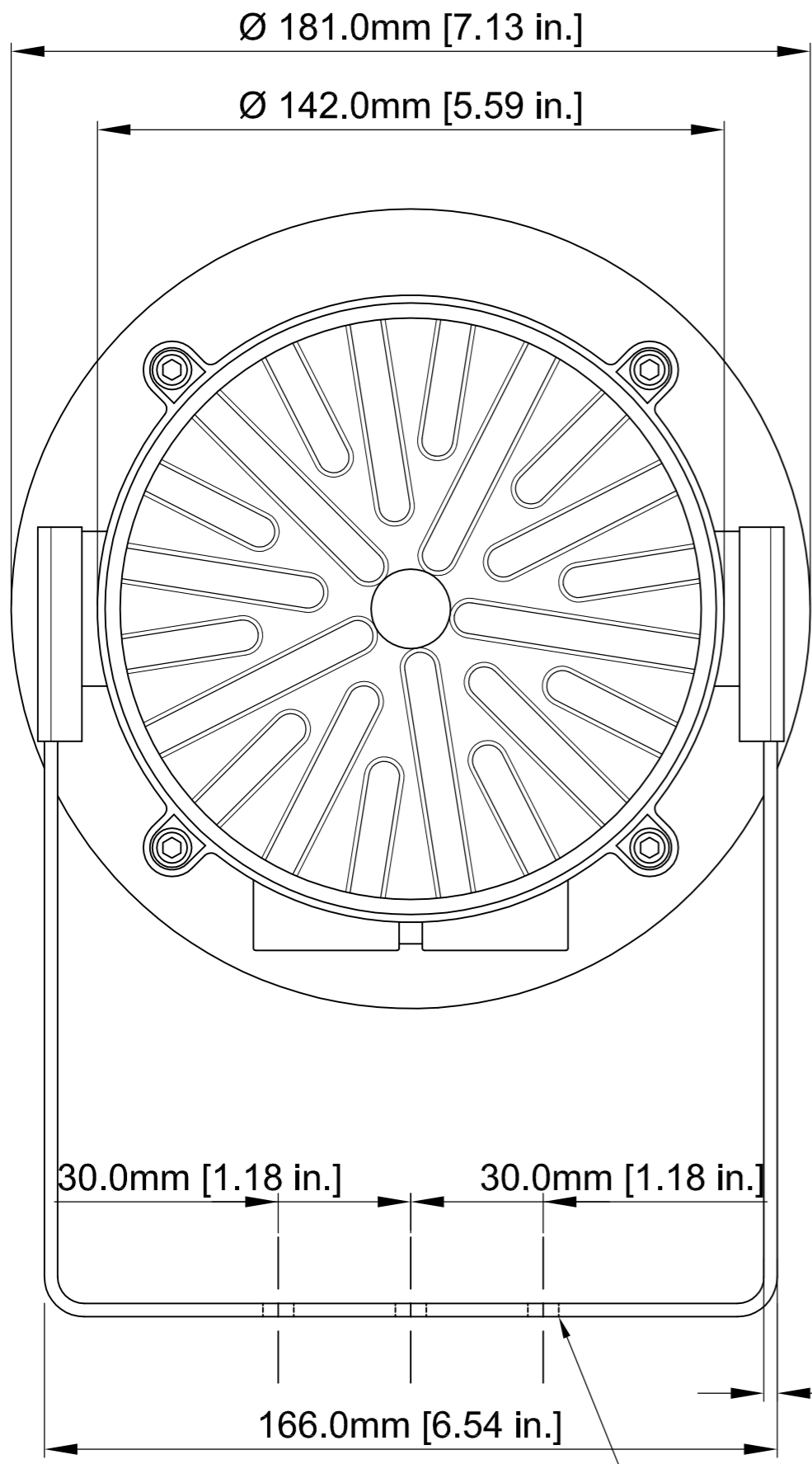


ISSUE	MOD No.	INITIAL/DATE
A		INTRODUCTION OF PART GU 28-08-09
B		UPDATED TO DUAL DIMS. RSR 25-06-13
C		E2xS1 PART NUMBERING RSR 18-05-17



E2S PART NO.	DESCRIPTION	DATA REFERENCE
E2xL15...	E2xL15 PA LOUDSPEAKERS	1.32.030
E2xS1F...	E2xS1 ALARM SOUNDER/HORN	1.32.010
MA112...	MA112 ALARM SOUNDER	2.21.190
ML15...	ML15 PA HORN LOUDSPEAKER	2.24.010

WHERE APPLICABLE '-UL' VERSIONS ARE COVERED BY THIS OUTLINE DRAWING.

3 Holes Ø 7.0 [0.28 in.]

DRAWING TO BS8888:2000 GEOMETRIC TOLERANCES TO ISO1101:1983 LINEAR DIMENSIONAL TOLS ANGULAR DIMENSIONAL TOLS	DRAWN G. UDOWICZENKO	DATE 26-08-09	SURFACE FINISH	WEIGHT (Kg)	THIS DRAWING AND ANY INFORMATION OR DESCRIPTIVE MATTER THEREIN IS COMMUNICATED IN CONFIDENCE AND IS THE COPYRIGHT PROPERTY OF EUROPEAN SAFETY SYSTEMS LTD. NEITHER THE WHOLE OR ANY EXTRACT MAY BE DISCLOSED, LOANED, COPIED OR USED FOR MANUFACTURING OR TENDERING PURPOSES WITHOUT THEIR WRITTEN CONSENT.	 EUROPEAN SAFETY SYSTEMS LTD IMPRESS HOUSE MANSELL ROAD ACTON LONDON W3 7QH WWW.E2S.COM	ALL DIMENSIONS IN MM IF IN DOUBT, ASK - DO NOT SCALE	 <b>A2</b>
	CHECKED	DATE	MATERIAL	TITLE <b>E2xS1F SOUNDER OUTLINE</b>				
	APPROVED	DATE	ALTERNATIVE MATERIAL	SCALE 1:1				
STANDARDS					EUROPEAN SAFETY SYSTEMS LTD. AS PER LATEST DATE OF ISSUE SHOWN ABOVE	SHEET 1 OF 1	DRAWING NUMBER <b>SK0121</b>	