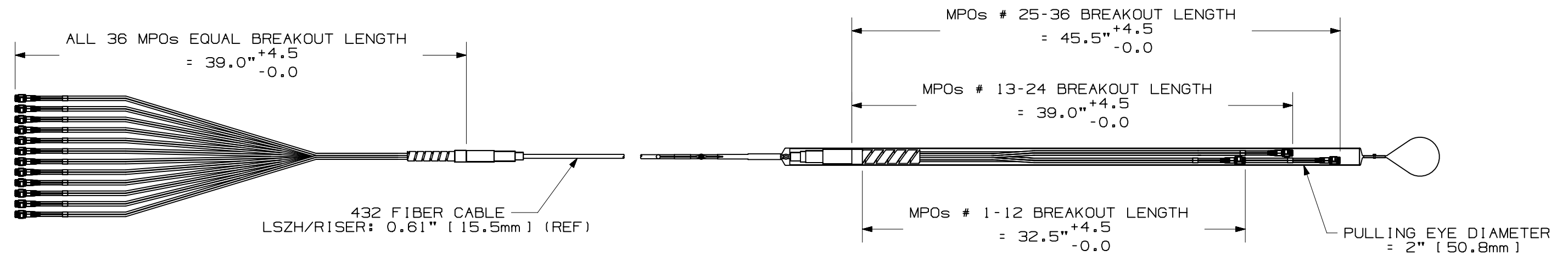
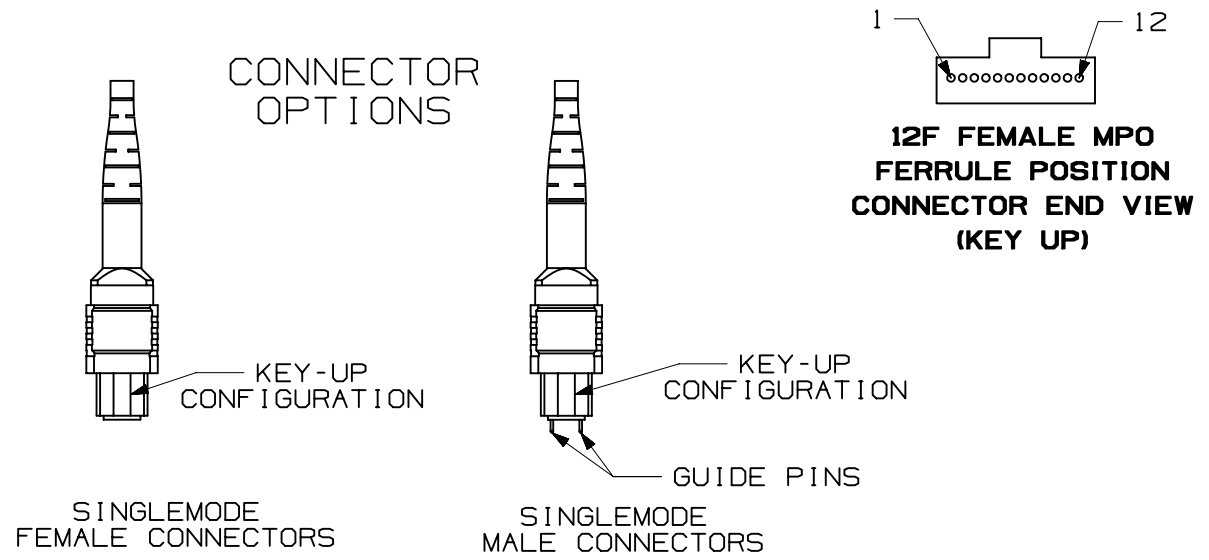


- NOTES:
1. VISIT OUR ON-LINE CATALOG AT WWW.PANDUIT.COM FOR A LIST OF CURRENT PARTS APPLICABLE FOR USE WITH THIS PRODUCT.
  2. DIMENSIONS IN [ ] ARE METRIC.
  3. ALL MATERIALS AND COMPONENTS USED MEET THE MATERIAL RESTRICTIONS OF RoHS (EUROPEAN DIRECTIVE 2011/65/EU ON THE RESTRICTION OF HAZARDOUS SUBSTANCES) AS PROPOSED BY THE RoHS TECHNICAL ADAPTATION COMMITTEE.
  4. CONNECTORS MEET THE REQUIREMENTS OF TIA/EIA 568-D.
  5. PERFORMANCE LABELS FOR EACH CHANNEL ACCOMPANIES EACH CABLE ASSEMBLY.
  6. STANDARD BREAKOUT LENGTH SHOWN. CUSTOM BREAKOUT LENGTHS AVAILABLE UPON REQUEST.
  7. 432 FIBER CABLE IS RATED AS FOLLOWS: INDOOR/OUTDOOR, LSZH, EUROCLASS Cca-s1a, d0, a1, AND RISER (OFNR).
  8. THERE ARE 3 BREAKOUT LENGTHS FOR THE STAGGERED OPTION, WITH 12 MPOs AT EACH LENGTH.



**TABLE 1: 288-FIBER TRUNK PART NUMBER MATRIX**

1	2	3	4	5	6	7	8	9	10	11	12	13	14	15
F	B	B	N											

LENGTH: 005 TO 999 M, 016 TO 999 FT.

UNIT OF MEASURE:  
 F = FEET (PLENUM ASSEMBLIES)  
 M = METERS (LSZH ASSEMBLIES)

PULLING EYE:  
 A = BLACK PULLING EYE, END A  
 N = NO PULLING EYE

PERFORMANCE/POLARITY:  
 A = POLARITY A, STANDARD IL  
 B = POLARITY B, STANDARD IL

CONNECTOR VARIANT END A:  
 D = 39.0" EQUAL BREAKOUT  
 E = STAGGERED BREAKOUT AS SHOWN (32.5", 39.0", 45.5")  
 N = NO VARIANT (PIGTAIL)

CONNECTORS END B:  
 5 = 12 FIBER MPO FEMALE  
 6 = 12 FIBER MPO MALE  
 N = NO CONNECTOR (PIGTAIL)

CONNECTOR VARIANT END A:  
 D = 39.0" EQUAL BREAKOUT  
 E = STAGGERED BREAKOUT AS SHOWN (32.5", 39.0", 45.5")

CONNECTORS END A:  
 5 = 12 FIBER MPO FEMALE  
 6 = 12 FIBER MPO MALE

FLAME RATINGS:  
 M = LSZH EUROCLASS Cca/RISER OFNR  
 P = PLENUM OFNR

CABLE TYPE:  
 N = INDOOR/OUTDOOR TRUNK

FIBER COUNT:  
 N = 432 FIBERS

FIBER TYPE:  
 B = OS1/2 9/125um SINGLEMODE  
 (CABLE SHOWN IS BEND-INSENSITIVE G.657.A2)

PRODUCT DESIGNATION:  
 F=FIBER

01A	08-16-21	SAT	FJDU	EJH	INITIAL RELEASE	00597EAA-DC
REV	DATE	BY	CHK	APR	DESCRIPTION	ECN

PART NUMBER		SEE TABLE 1	
TITLE			
432 FIBER CABLE ASSEMBLIES: OPTION 1. (36) 12F MPOs TO (36) 12F MPOs (PRE-TERM) OPTION 2. (36) 12F MPOs TO BLUNT END (PIGTAIL) CUSTOMER DRAWING			
ITEM REVISION NAME	00597EAA/01		
DATASET FILE NAME	00597EAA_DC/01A		
MATERIAL		N/A	
DRAWN BY		DATE	SCALE
SAT		08-13-21	FJDU NONE
DRAWING NUMBER		00597EAA - DC	
SHEET 1 OF 1		B	

B

B

A

A