

Product designation	Rotary cam switches		
Product type designation	GX40		
<b>General characteristics</b>			
Switching diagram	19 - Dahlander motor control switch 0-1-2		
N° of elements	4		
Mounting form	U25 - Front mounting with red/yellow handle padlockable in 0 and protection covers		
<b>Contact characteristics</b>			
Rated insulation voltage $U_i$	IEC/EN	V	690
	UL/CSA	V	600
Rated impulse withstand voltage $U_{imp}$		kV	6
Conventional free air thermal current $I_{th}$	IEC/EN	A	40
	UL/CSA	A	40
Rated operational voltage		V	440
Rated operational impulse voltage		kV	4
Maximum fuse size for short-circuit protection $I_n$ (gG)	10kA	A	40
	15kA	A	35
	25kA	A	35
Rated short time current $I_{cw}$		A	1000
	1s	A	1000
Conductivity			10/5 mA/V
Operational current $I_e$ IEC/EN	AC1/AC21A		
		A	40
AC15	110V	A	25
	220/230V	A	22
	380/400V	A	12
	660/690V	A	2
Rated operational power in AC	Three-phase AC-3		
	220/230V	kW	7.5
	380/440V	kW	15
	500/690V	kW	15
	Single-phase AC-3		
	110V	kW	2.2
	220/230V	kW	4.4
	380/440V	kW	7
	Three-phase AC23A		
	220/230V	kW	9
	380/440V	kW	18.5
	500/690V	kW	15
Single-phase AC23A			
110V	kW	3	

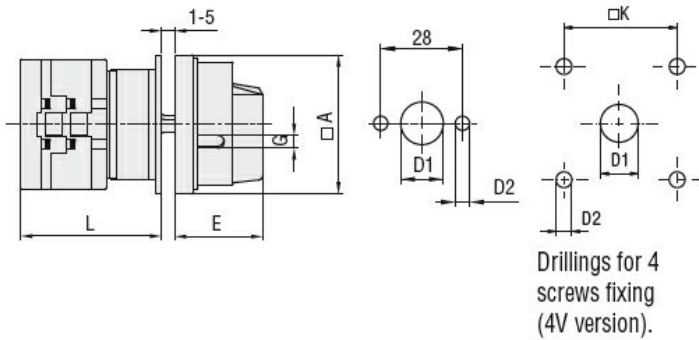
	220/230V	kW	5.2
	380/440V	kW	7.5
<hr/>			
Rated operational current in DC			
DC21A			
	48V	A	40
	60V	A	40
	110V	A	6
	220V	A	0.8
	440V	A	0.25
<hr/>			
DC23A (poles in series)			
	24V	A	40 (1)
	48V	A	40 (1)
	60V	A	40 (3)
	110V	A	40 (3)
	220V	A	12 (4)
<hr/>			
DC13			
	24V	A	40
	48V	A	32
	60V	A	16
	110V	A	3
	220V	A	0.5
	440V	A	0.15
<hr/>			
Power dissipation		W	1.6
<b>Mechanical features</b>			
Terminals screw			M4
Tightening torque for terminals max		Nm	1.2
<hr/>			
Conductor size			
AWG - Rigid cable			
	min	AWG	16
	Max	AWG	8
<hr/>			
AWG - Flexible cable			
	min	AWG	16
	Max	AWG	10
<hr/>			
Conductor size (IEC) - Flexible cable			
	min	mm <sup>2</sup>	1.5
	Max	mm <sup>2</sup>	6
<hr/>			
Conductor size (IEC) - Rigid cable			
	min	mm <sup>2</sup>	1.5
	Max	mm <sup>2</sup>	10
<hr/>			
Mechanical life		cycles	1X10 <sup>6</sup>
<b>UL technical data</b>			
Motor power for direct-on-line control			
for three-phase motor			
	120V	HP	5
	240V	HP	10
	480V	HP	15
	600V	HP	15
<hr/>			
for single-phase motor			
	120V	HP	2
	240V	HP	5
<hr/>			
<b>Ambient conditions</b>			
Temperature			
Operating temperature			
	min	°C	-25

Storage temperature	max	°C	+55
	min	°C	-40
	max	°C	+70

**Resistance & Protection**

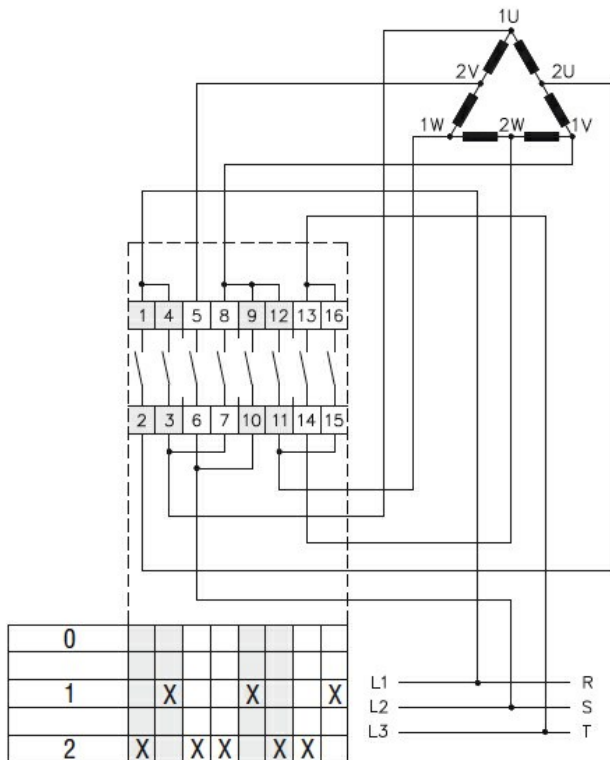
Frontal IP degree	IP65
Terminals IP degree	IP20

**Dimensions**



Series	Dimensions						L				
	□A	D1	D2	E	G	□K	1	2	3...12		
GX16	48	12	5	34.2	5	36	43	51.5	60	136.5	
GX20	48	12	5	34.2	5	36	43	51.5	60	136.5	
GX32	65	14	5	38	6	48	51	63	75	183	
GX40	65	14	5	38	6	48	51	63	75	183	

**Wiring diagrams**



**Certifications and compliance**

Compliance	CSA C22.2 n° 14
------------	-----------------

ROTARY CAM SWITCH GX SERIES, DAHLANDER MOTOR CONTROL SWITCH 0-1-2, 40A,  
FOR FRONT MOUNTING WITH RED/YELLOW HANDLE PADLOCKABLE IN 0 AND  
PROTECTION COVERS, FRONT PLATE 65X65MM

---

IEC/EN/BS 60947-1

---

IEC/EN/BS 60947-3

---

IEC/EN/BS 60947-5-1

---

IEC/EN/BS 61058-1

---

UL60947-4-1

Certificates

---

cULus

---

EAC

ETIM classification

ETIM 8.0

EC001029 -  
Selector switch,  
complete