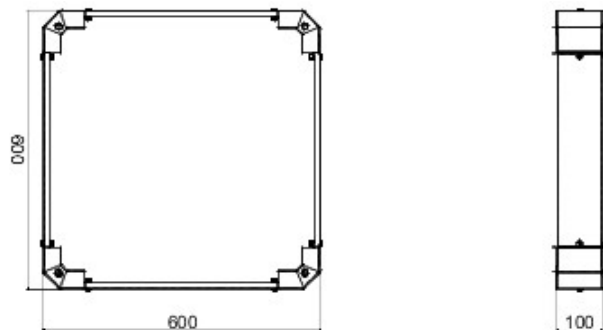




A complete system for the connection and distribution of LAN networks in the residential and tertiary sector. The range includes solutions for optical fibre, wall cabinets, floor-standing cabinets and products for copper wiring. The Data Center cabinets come with a wide choice of configurations and various depths (up to 1000mm) to meet every application need. Made of top quality materials (static full-load capacity up to 1000kg), these products guarantee easy wiring (thanks to the notable internal space) and can be completely customised with removable and reversible front doors.

Catégorie	Plinth for 19" floor-standing cabinets	Matière	Acier
Finition		Wrinkle	
For 19" rack cabinets	GW38451, GW38452, GW38453	Couleur	Noir RAL 9005
Electrocod	3752	Dim. externes LxHxP (mm)	600x100x600

### DIMENSIONS



### NORMES ET HOMOLOGATIONS



GEWISS S.A.S. 1, Rue du Rio Salado 91940  
Les Ulis Cedex  
Tel : +33 1 64 86 80 80

[www.gewiss.com](http://www.gewiss.com)  
[www.gewiss@gewiss.fr](mailto:www.gewiss@gewiss.fr)  
Dernière mise à jour 21/02/2020

Les caractéristiques, dimensions, dessins et images sont communiqués à titre purement informatif et peuvent faire l'objet de modification sans aucun préavis