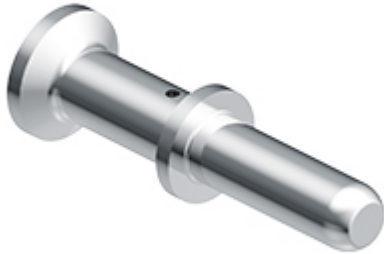


Part number

CX7MA 6.0



Male crimp contact, CX7 series, 70 A, silver plated, wire cross section 6 mm², AWG 10

Product description		Material properties	
Product type	Crimp contact	Main material	Copper alloy
Series	CX7		Compliant with exemption 6(c): copper alloy containing up to 4% lead by weight
Gender	Male	RoHs conformity	
Technical data		China RoHs - EFUP	50
Current	70 A	REACH SVHC substances	Yes
Wire cross-section	6,00 mm ²		Lead
AWG size	10	SCIP number	C0979fba-9907-458f-a94a-db781440f273
Contact type	Turned silver plated	Approvals / Standards	
Further technical details		Certifications	EAC
Mating cycles	≥ 500	UL	ECBT2
Contact resistance	≤ 0,5 mΩ	cUL	ECBT8
Weight	10,00 g	General ordering information	
Operating temperature range (min, max)	-40°C ... +125°C	EAN13 code	8015747271905
Conductors stripping length	15 mm	eCl@ss 8.1	27440204
		ETIM 7.0	EC000796
		Packaging Information	
		Sub-packaging length	50,00 mm
		Sub-packaging height	44,00 mm
		Sub-packaging width	50,00 mm
		Sub-packaging weight	0,16 kg
		Sub-packaging volume	0,11 dm ³
		Sub-packaging description	Plastic box
		Sub-packaging quantity	16 Pcs
		Sub-packaging EAN barcode	8015747271912

Part number

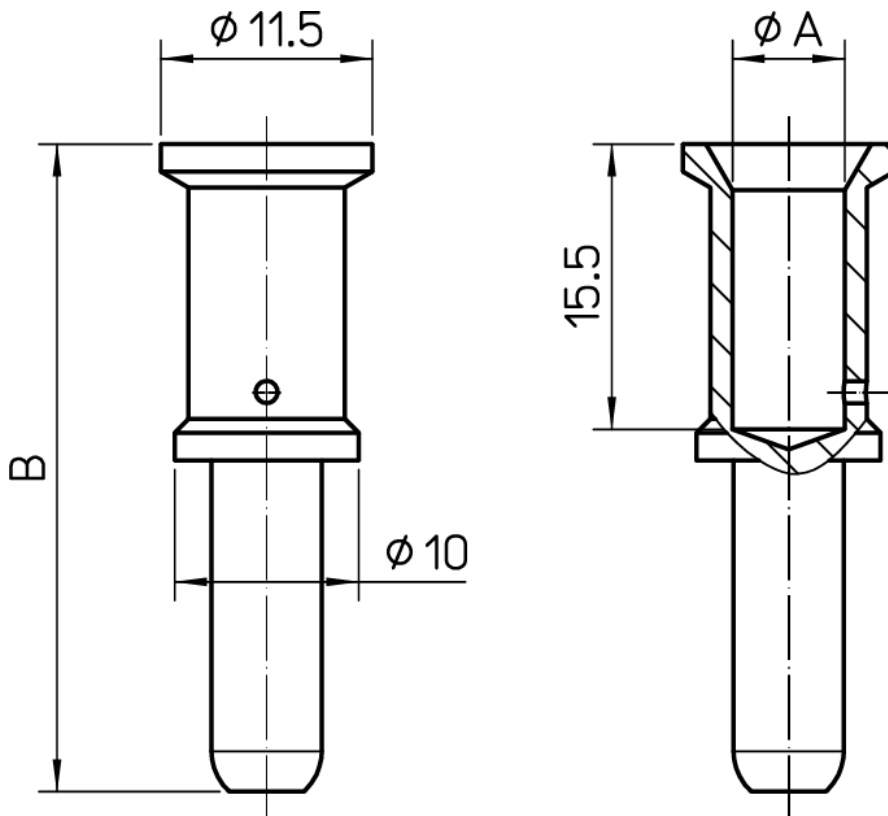
CX7MA 6.0



Catalogue drawings

PART NUMBERS SILVER PLATED	øA mm	B mm	WIRE GAUGE		STRIPPING LENGTH mm
			mm ²	AWG	
CX7MA 6.0	3,5	36	6	10	15
CX7MA 10	4,3	35,2	10	7	
CX7MA 16	5,5	35,2	16	5	
CX7MA 16 XF	6,1	35,2	16	3	
CX7MA 25	7,0	35,2	25	3	

Catalogue drawings



Notes

Dimensions shown in mm are not binding and may be changed without notice.

California Proposition 65 Information



WARNING

This product can expose you to lead and its compounds, known to the State of California to cause cancer and/or reproductive toxicity. For more information go to www.P65Warnings.ca.gov.

With CXC inserts, nominal current is up to 80 A, according to the current derating diagram.
