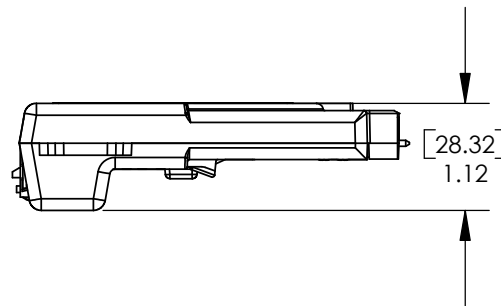
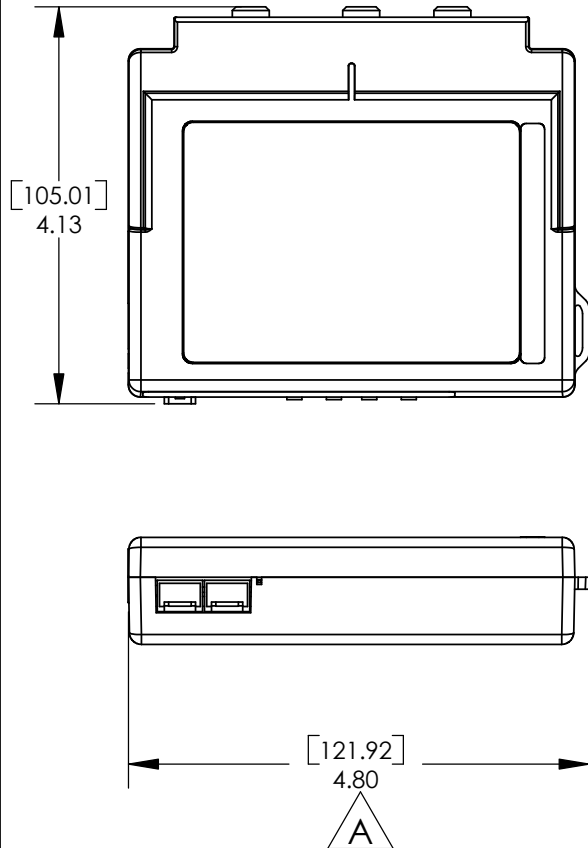
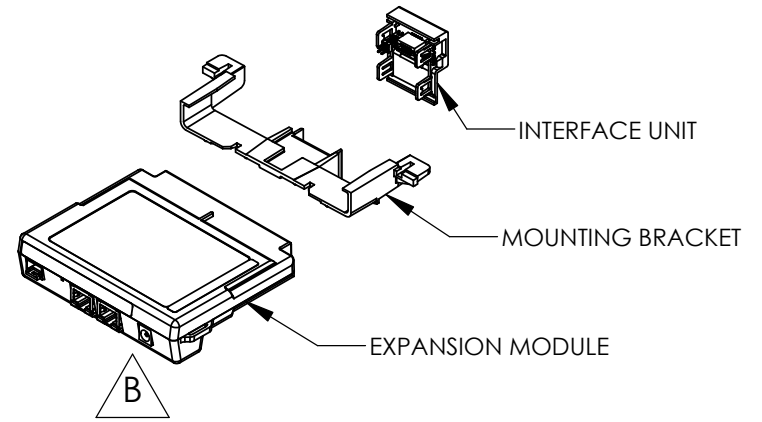


PANDUIT P/N	WEIGHT
PVQ-EM	1.5 LBS EA. 680g EA.



- NOTES:
 1. DIMENSIONS IN BRACKETS ARE IN METRIC.
 2. PART INCLUDES:
 (1) PANVIEW IQ EXPANSION MODULE
 (1) PANVIEW IQ EXPANSION MODULE INTERFACE UNIT
 (1) PANVIEW IQ MOUNTING BRACKET
 (1) PANVIEW IQ EXPANSION PORT CABLE
 (1) INSTRUCTION SHEET.



MODEL FILENAME m02676ac_pmm_02.s1dprt	SIZE A
DRAWING FILENAME m02676ad_dc104_00a.s1ddrw	

**PANVIEW IQ EXPANSION MODULE
CUSTOMER DRAWING**

	I.L. NUMBER N/A
	PRODUCT SPEC/ PKG SPEC N/A

	ALL DIMENSIONS ARE GIVEN IN INCHES, UNLESS OTHERWISE SPECIFIED. DIMENSIONAL TOLERANCES ARE: (.X) ±.03 (.XXX) ±.005 (.XX) ±.01 ANGLES ±1°	ASSEMBLY METHOD/ TEST METHOD N/A
		SCALE NONE

REV.	DATE	BY	CHK D	DESCRIPTION	ECN	ECN REV	CUS T	S UP	GM BH
1	1/5/09	ALP	MJD	A. ADDED NEW CABLE TIE FEATURE TO OVERALL DIMENSION; B. ADDED ISO VIEW OF PARTS IN PVQ-EM KIT	02676-104	MJD	MJD		
R	2/26/08	TCW	DCK	RELEASE TO PRODUCTION	02676-104				

DRAWN BY TCW	REVIEW DRAWING NUMBERS	PART NO. PVQ-EM
DATE 2/26/08	MAT'L: SEE NOTES ABOVE	DRAWING NO. 02676-104 Sheet 1 of 1
CHK'D DCK		