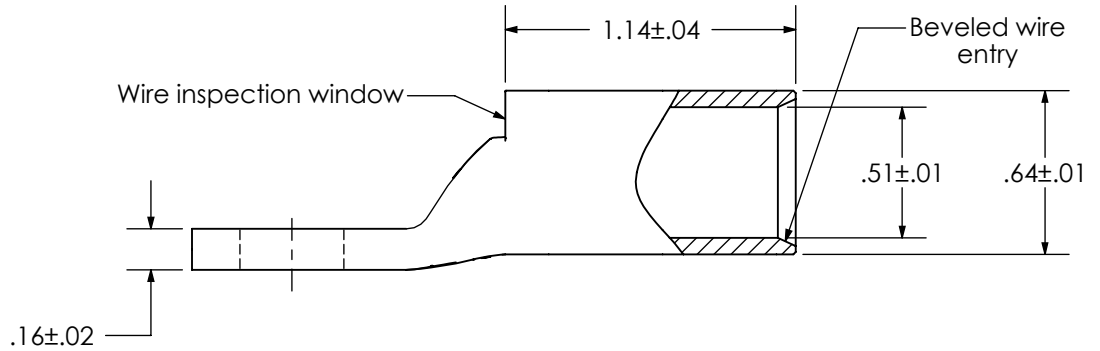
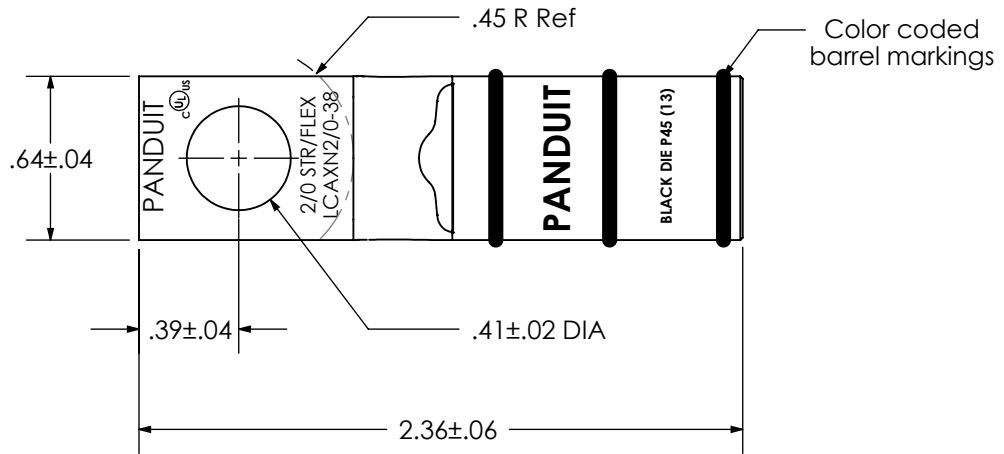


THIS COPY IS PROVIDED ON A RESTRICTED BASIS AND IS NOT TO BE USED IN ANY WAY DETRIMENTAL TO THE INTERESTS OF PANDUIT CORP.

Material	High Conductivity Seamless Copper Tube
Plating	Electro-Tin
Wire Size	2/0 STR/FLEX
Wire Type	Stranded Copper: Class B & C, Compact, Class G, H, I, K, M, Locomotive
Wire Strip Length	1-3/16 in.
Stud Size	3/8 in.
UL Listed Wire Connector	Yes, for applications up to 35kv. Consult cable manufacturer for voltage stress relief instructions with applications greater than 2000 volts.
UL Temperature Rating	90° C
C.S.A Certified Wire Connector	N/A
Panduit Color Code on Barrel	BLACK
Panduit Die Index No. on Barrel	P45
Alternate Industry Die Index No. () on Barrel	(13)



00	12/16	JHNU	JHNU	RGB	DRAWING RELEASED	00159NBO-LCAXN2/0-38-CUST
REV	DATE	BY	CHK	APR	DESCRIPTION	ECN

PANDUIT CORP. TINLEY PARK, ILLINOIS

LCAXN2/0-38-X
Copper Lug - One-Hole, Narrow Tongue, Standard Flex Barrel

SCALE N/A DRAWING NO / CAD FILE LCAXN2_0-38-CUST