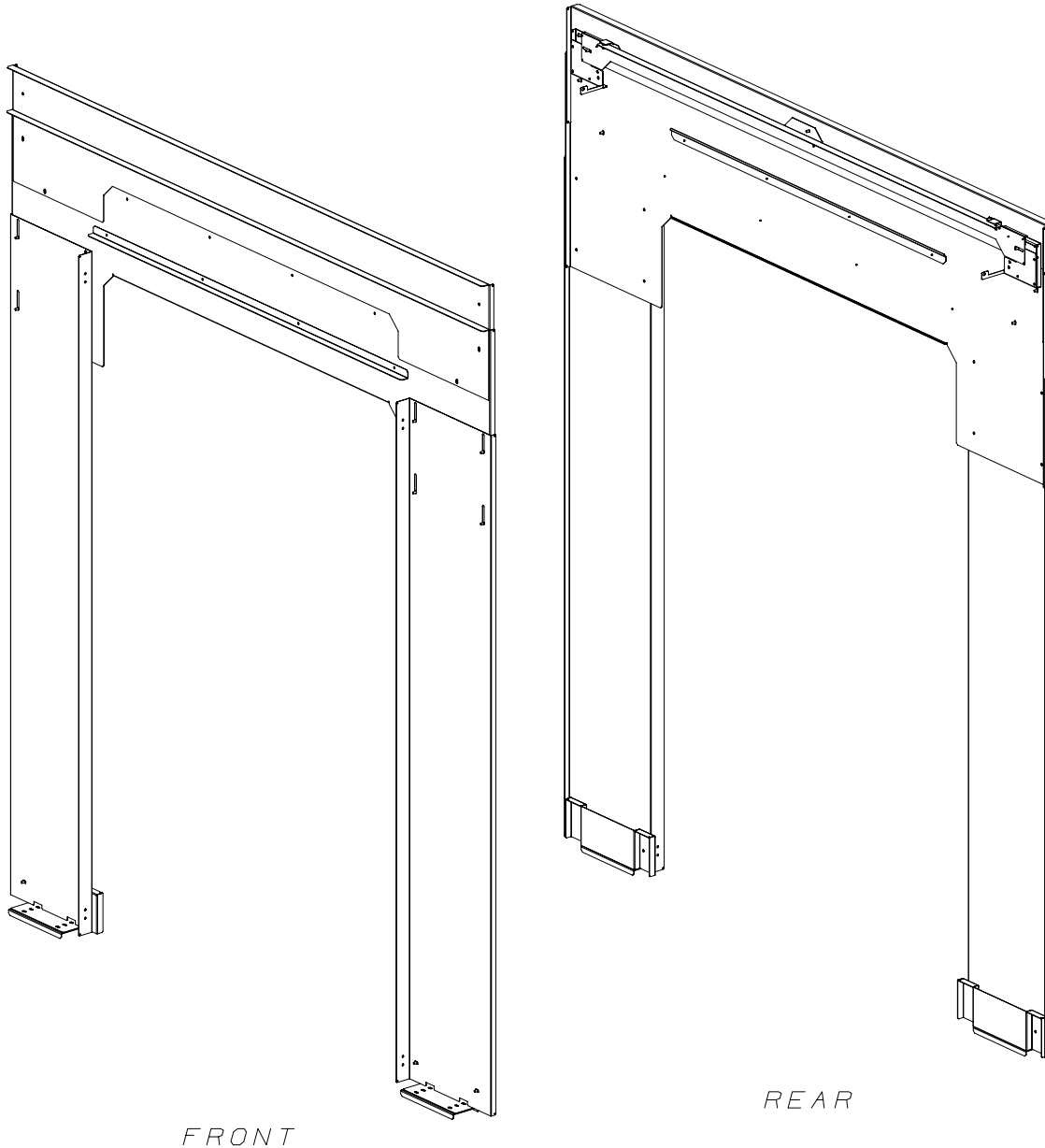


THIS COPY IS PROVIDED ON A RESTRICTED BASIS AND IS NOT TO BE USED IN ANY WAY DETRIMENTAL TO THE INTERESTS OF PANDUIT CORP.



NOTES:

1. VISIT OUR ONLINE CATALOG AT WWW.PANDUIT.COM FOR A LIST OF CURRENT PARTS APPLICABLE FOR USE WITH THIS PRODUCT.
2. PARTS SUPPLIED:
 - 1 - AISLE BEAM ASSY
 - 1 - CABINET BRACKET ASSY RH
 - 1 - CABINET BRACKET ASSY LH
 - 1 - TRANSOM 48/51
 - 1 - 3RU EXTENDER
 - 1 - DOOR MOUNTING RAIL RH
 - 1 - DOOR MOUNTING RAIL LH
 - 2 - FOOT FLOOR MOUNT
 - 2 - UNDERFLOOR PLATE
 - 1 - HARDWARE KIT (NOT SHOWN)
 - 1 - INSTRUCTION SHEET
3. PRIMARY DIMENSIONS ARE IN MILLIMETERS.

PART NO.	WEIGHT
C2SDT9W06DA**	43.6 kg 96.1 lb

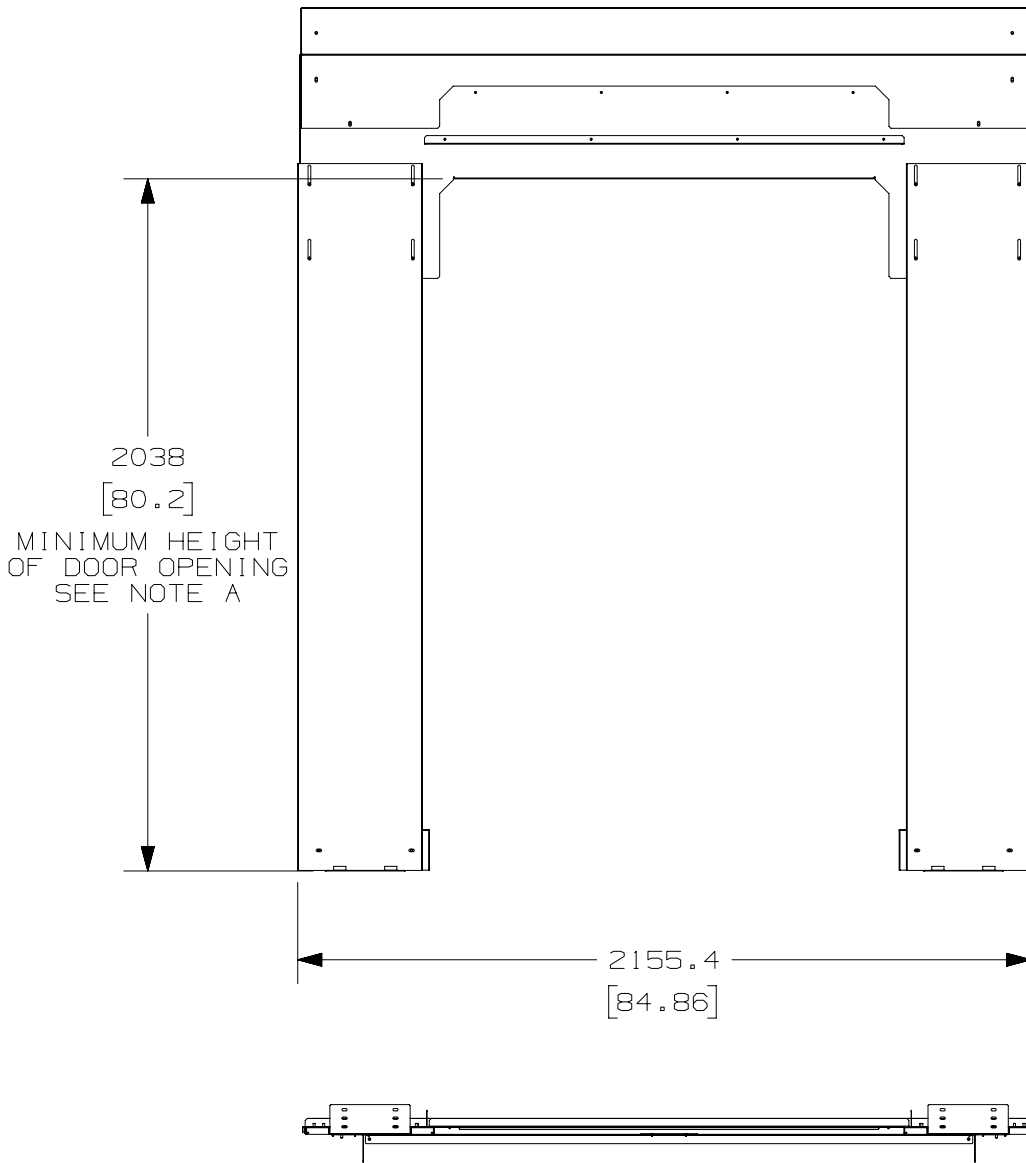
** DENOTES COLOR - ADD SUFFIX:
 "B1" FOR BLACK, "W1" FOR WHITE.

TITLE		1800 CAC DOOR ADAPTER 48/51 (C2SDT9W06DA**)	
ITEM REVISION NAME		15V530FF/00	
DATASET FILE NAME		15V530FF_DC/00A	
MATERIAL:		N/A	
DRAWING NUMBER:		15V530FF - DC	
DRAWN BY	DATE	CHK	SCALE
MES	6/13/16	PATR	NONE
SHT 1 OF 3		A	

00A	6/13/16	MES	PATR	PATR	RELEASED TO PRODUCTION	V09000QZ/02
REV	DATE	BY	CHK	APR	DESCRIPTION	ECN

D10100DA/16

THIS COPY IS PROVIDED ON A RESTRICTED BASIS AND IS NOT TO BE USED IN ANY WAY DETRIMENTAL TO THE INTERESTS OF PANDUIT CORP.



FOR 48RU
2404.6-2449.1
[94.67-96.42]

FOR 51RU
2538.1-2582.5
[99.92-101.67]

2038
[80.2]
MINIMUM HEIGHT
OF DOOR OPENING
SEE NOTE A

65.8
[2.59]

2155.4
[84.86]

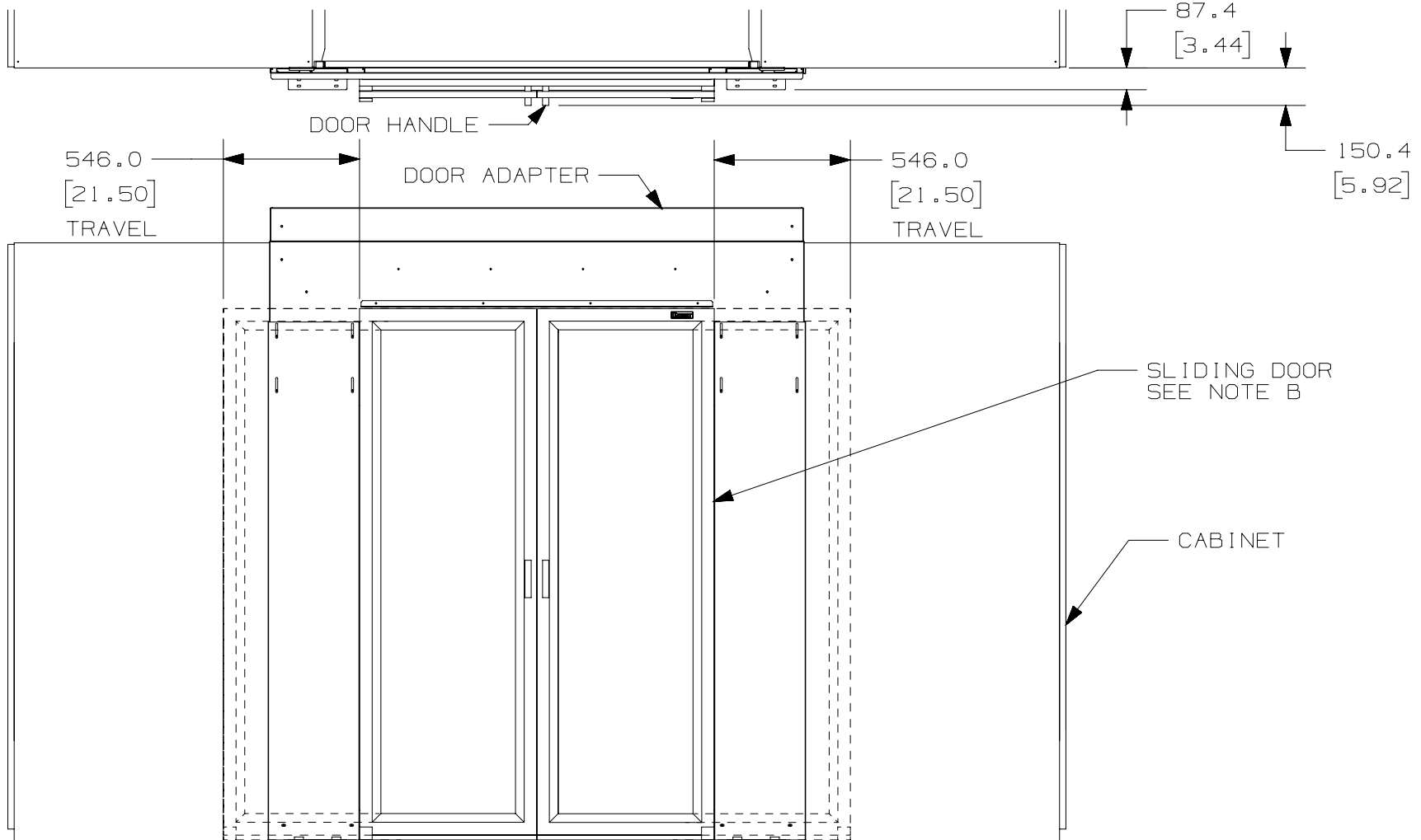
NOTE A:
(ACTUAL HEIGHT WILL DEPEND ON THE POSITION
OF THE CABINET LEVELING LEGS AND THE INSIDE
HEIGHT OF THE SLIDING DOOR)

TITLE		1800 CAC DOOR ADAPTER 48/51 (C2SDT9W06DA**)	
ITEM REVISION NAME		CUSTOMER DRAWING	
15V530FF/00		PANDUIT	
DATASET FILE NAME			
15V530FF_DC/00A		MATERIAL:	
		N/A	
		DRAWING NUMBER:	
		15V530FF - DC	
DRAWN BY	DATE	CHK	SCALE
MES	6/13/16	PATR	NONE
DESCRIPTION		SHT 2 OF 3	
ECN		SIZE	
V09000QZ/02		A	

REV	DATE	BY	CHK	APR	DESCRIPTION	ECN
00A	6/13/16	MES	PATR	PATR	SEE SHEET 1 OF 3 FOR REVISIONS	V09000QZ/02

D10100DA/16

THIS COPY IS PROVIDED ON A RESTRICTED BASIS AND IS NOT TO BE USED IN ANY WAY DETRIMENTAL TO THE INTERESTS OF PANDUIT CORP.



NOTE B:
 (REFER TO THE SLIDING DOOR CUSTOMER DRAWING
 FOR THE HEIGHT AND WIDTH OF THE DOOR OPENING)

TITLE		1800 CAC DOOR ADAPTER 48/51 (C2SDT9W06DA**)	
ITEM REVISION NAME		15V530FF/00	
DATASET FILE NAME		15V530FF_DC/00A	
MATERIAL:		N/A	
DRAWING NUMBER:		15V530FF - DC	
DRAWN BY	DATE	CHK	SCALE
MES	6/13/16	PATR	NONE
SHT 3 OF 3		A	

00A	6/13/16	MES	PATR	PATR	SEE SHEET 1 OF 3 FOR REVISIONS	V09000QZ/02
REV	DATE	BY	CHK	APR	DESCRIPTION	ECN

D10100DA/16