

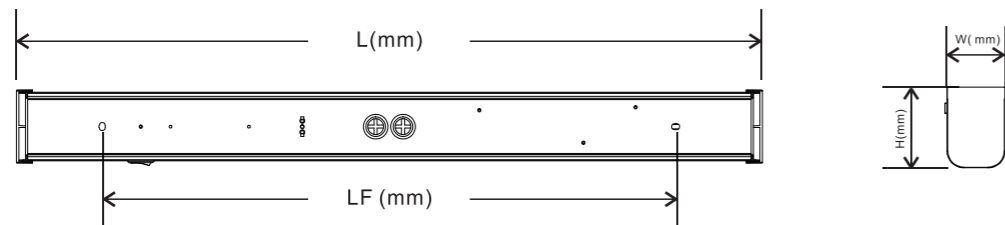


ELSA LED IP44

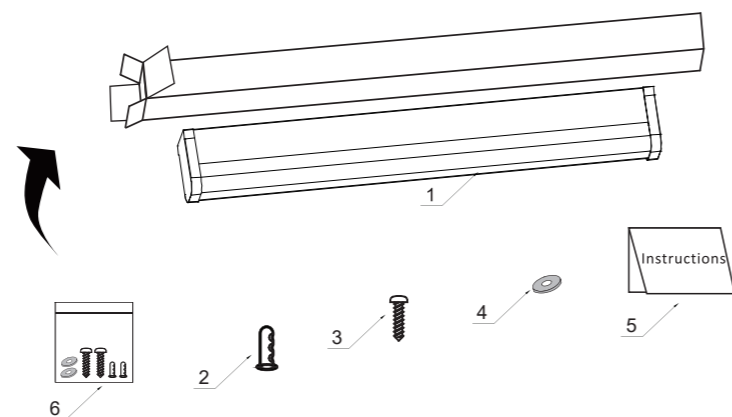
EN	Installation Instructions	HR	Uputstvo za montažu	SE	Installationsanvisning
DE	Montageanleitung	NL	Montagehandleiding	RU	Инструкция по монтажу
CZ	Montážní návod	RO	Instructiuni de montaj	SRB	Instrukcija za instalaciju
DK	Monteringsvejledning	IT	Istuzioni di montaggio	SK	Montážny návod
EE	Paigaldusjuhend	LT	Montavimo instrukcijos	SLO	Navodilo za montažo
FI	Asennusohje	LV	Instalācijas instrukcija	CN	安装说明书
FR	Notice de montage	NO	Monteringsanvisning		
HU	Szerelési útmutató	PL	Instrukcja montażu		

-  1. Installation and commissioning may only be carried out by authorized specialists and wired in accordance with the latest IEE electrical regulations or the national standards.
-  2. Mains power must be switched off before carrying out installation.
3. The manufacturer, shall not be liable for any damage resulting from inappropriate modifications to the luminaire or faulty installation.
4. Light source can't be replaced.
5. Caution, risk of electric shock.
- The control gear provides basic insulation between the LV supply and the control circuit.

Product Description	Wattage	SAP Code	L	W	H	LF
ELSA LED 450 800 840 WH	8W	96630376	450	58	81	373
ELSA LED 450 800 830 WH	8W	96630377	450	58	81	373
ELSA LED 450 800 840 MWS WH	8W	96630378	450	58	81	373
ELSA LED 450 800 830 MWS WH	8W	96630379	450	58	81	373
ELSA LED 600 1200 840 WH	12W	96630327	600	58	81	461
ELSA LED 600 1200 830 WH	12W	96630328	600	58	81	461
ELSA LED 600 1200 840 MWS WH	12W	96630329	600	58	81	461
ELSA LED 600 1200 830 MWS WH	12W	96630330	600	58	81	461

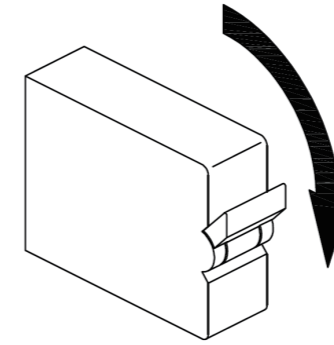


1	LED Batten	X1
2	Plastic expansion	X2
3	Screw	X2
4	Flat Gasket	X2
5	Instructions	X1
6	Accessory bag	X1

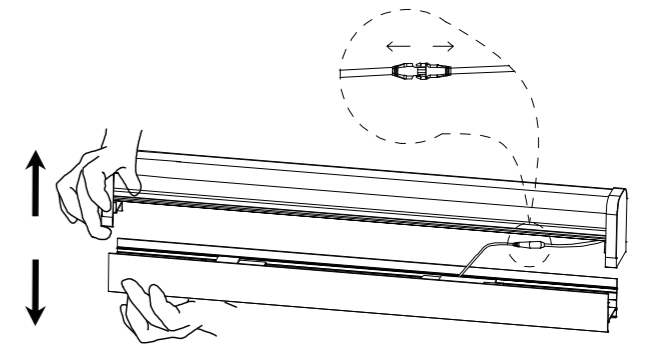


ELSA LED IP44

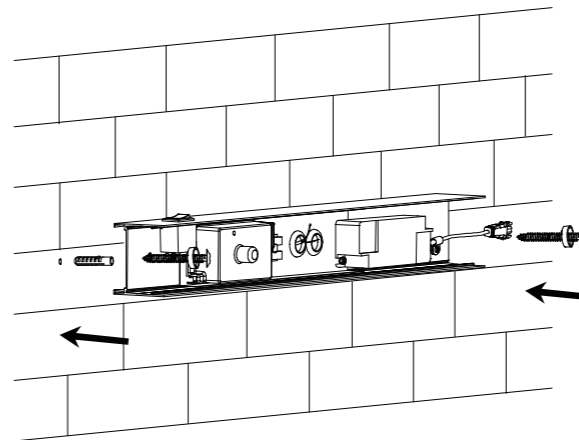
1



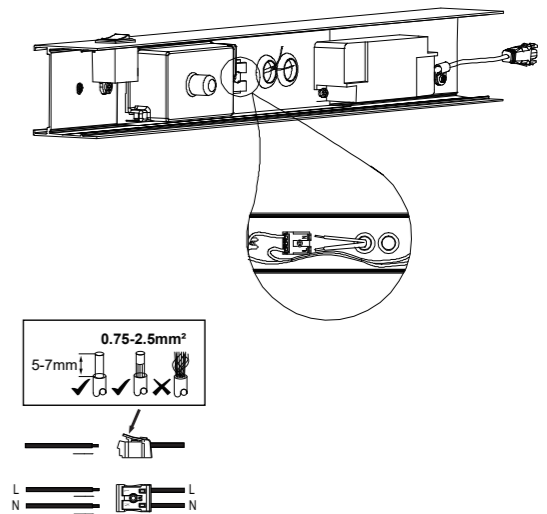
2



3

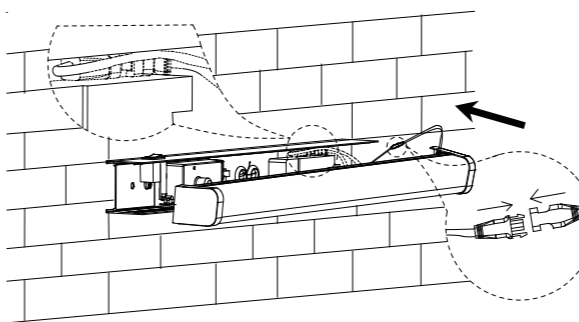


4

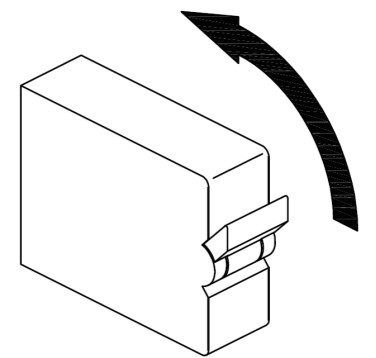


5

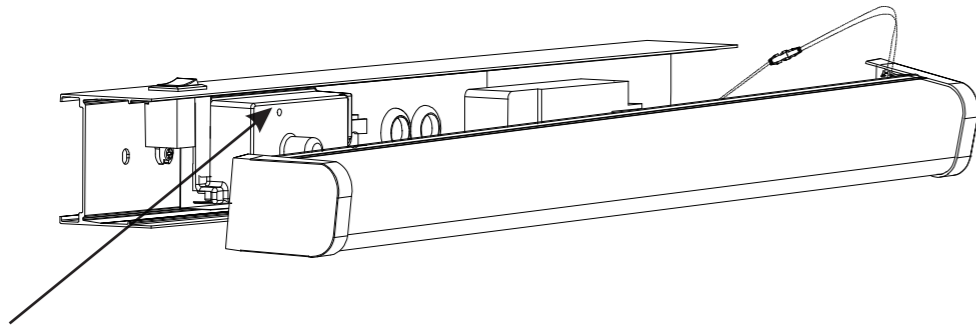
If 450mm ELSA, put plug inside driver groove



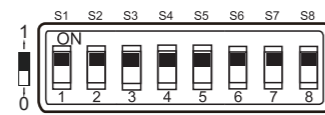
6



MWS



Sensor Settings



S1	S2	detection range
0	0	20%
0	1	50%
1	0	75%
1	1	100%

Detection area
Champs de détection

S3	S4	S5	TIME
0	0	0	10s
0	0	1	1min
0	1	0	5min
0	1	1	10min
1	0	0	15min
1	0	1	20min
1	1	0	25min
1	1	1	30min

Hold time
Durée

S6	S7	S8	LUX
0	0	0	Disable/désactivé
0	0	1	10LUX
0	1	0	20LUX
0	1	1	50LUX
1	0	0	100LUX
1	0	1	200LUX
1	1	0	300LUX
1	1	1	500LUX

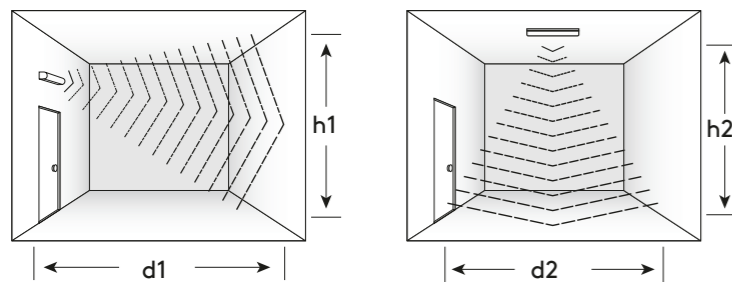
Daylight threshold
Luminosité

Default / Défaut



SENS:100% TIME:5MIN LUX:Disable/désactivé

Detection range



	h1	d1	h2	d2
100%	7M	3M	3M	7M
75%	5M	2M	2M	5M
50%	3.5M	1.5M	1.5M	3.5M
25%	1.5M	0.5M	0.5M	1.5M

Warning!

The product can not work normally if there is metal material in front of the installed place.