

Installation guide

Pressure operated water valve

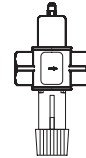
WVFX 32 – WVFX 40

003R9744

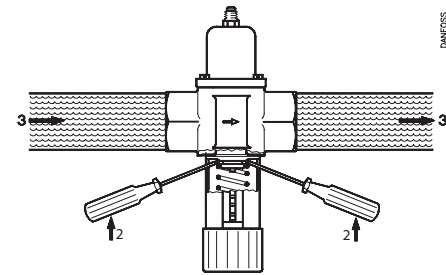
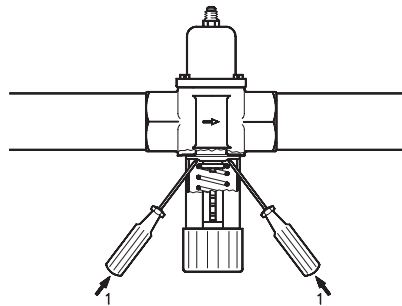
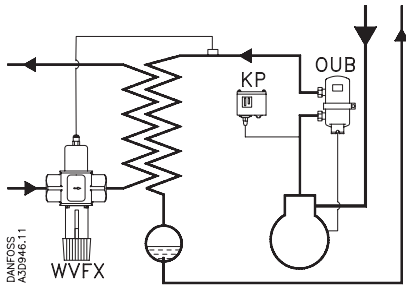
Refrigerants:

R22, R1270, R134a, R290, R404A, R407A, R407C, R407F, R448A, R449A, R450A, R452A, R507A, R513A, R600, R600a

For complete list of approved refrigerants, visit www.products.danfoss.com and search for individual code numbers, where refrigerants are listed as part of technical data.



003R9744



DANFOSS
A3D946.11

