

Part number

CZCR 06 LG



Cover, 180 °C series, with 1 lever, size "44.27", with loop



Product description

Product type	Cover
Series	180 °C
Closing type	With 1 lever
Size	Size 44.27

Technical data

IP degree of protection	IP65
--------------------------------	------

Further technical details

Weight	75,00 g
Operating temperature range (min, max)	-40°C ... +180°C

Material properties

Other materials	Lever: Stainless steel Gasket: FKM
RoHs conformity	Compliant
China RoHs - EFUP	E
REACH SVHC substances	No

Approvals / Standards

Certifications	DNV, BV
UL	ECBT2
cUL	ECBT8

General ordering information

EAN13 code	8015747043915
eCl@ss 8.1	27440202
ETIM 7.0	EC000437

Packaging Information

Packaging length	220,00 mm
Packaging height	130,00 mm
Packaging width	240,00 mm
Packaging weight	1,83 kg
Packaging volume	6,86 dm ³
Packaging description	Carton box
Packaging quantity	20 Pcs
Packaging EAN code	8015747250948
Sub-packaging weight	0,09 kg
Sub-packaging description	Plastic bag
Sub-packaging quantity	1 Pcs
Sub-packaging EAN barcode	8015747250955

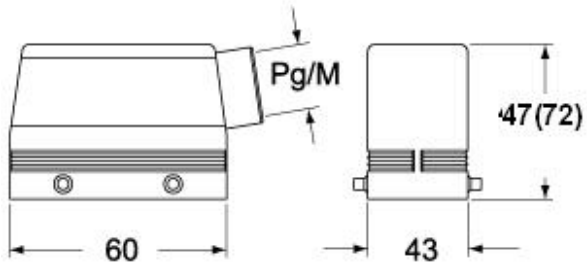
Part number

CZCR 06 LG

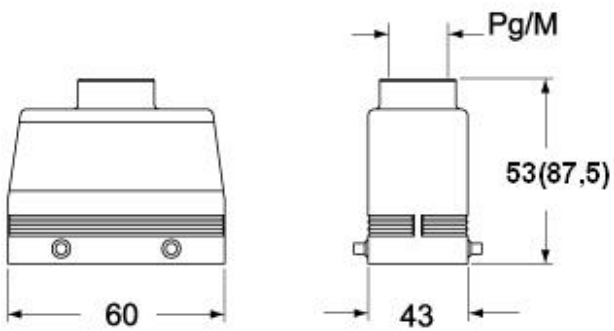


Catalogue drawings

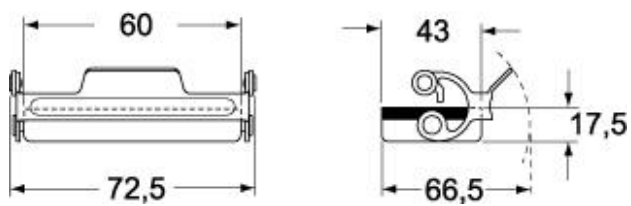
CHOW (CAOW) - MHOW (MAOW)



CAVW - MAVW



CZCR LG



Notes

Dimensions shown in mm are not binding and may be changed without notice.