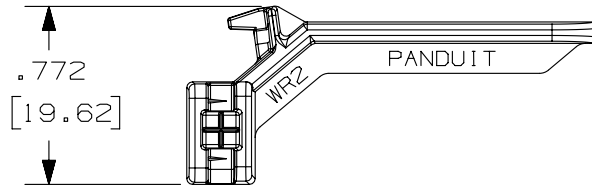
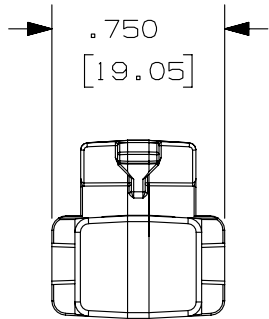
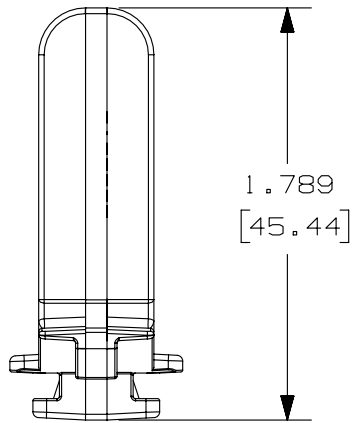


THIS COPY IS PROVIDED ON A RESTRICTED BASIS AND IS NOT TO BE USED IN ANY WAY DETRIMENTAL TO THE INTERESTS OF PANDUIT CORP.



DIMENSIONS IN PARENTHESIS ARE METRIC.

REV	DATE	BY	CHK	APR	DESCRIPTION	ECN
1	03-19-13	JBN	RTFI	RTFI	A. UPDATED DRAWING BORDER & TITLE BLOCK	36897-864
R	08-28-03	JHNU	JGG		DRAWING RELEASED	

TITLE WIRING DUCT - WIRE RETAINER WR2					
MARKETING DRAWING					
ITEM REVISION NAME D11000LM/00				PANDUIT	
DATASET FILE NAME D11000LM_DC_WR2/00B					
UNLESS OTHERWISE SPECIFIED, DIMENSIONAL TOLERANCES ARE: IN (mm)				MATERIAL: PVC	
.X ± .XX ± 				.XXX ± ANGLES ± THIRD ANGLE PROJECTION	
DRAWN BY JHNU		DATE 08-28-03		CHK JGG	
SCALE FULL		SHT 1 OF 1		SIZE A	

D110100DA/15