



Product designation	Solid state relay
Product type designation	HS3C
Type	Three-phase (3 controlled)

Input characteristics

Control voltage	4...32VDC		
Operating voltage limits			
	Operating voltage pick-up	V	4
	Operating voltage drop-out	V	2
Input current at min...max voltage	mA		17...27

Operating times

Switching-on	Half cycle max
Switching-off	Half cycle max

Output characteristics

Switching mode	Zero crossing		
Rated operating voltage	VAC		48...600
Blocking voltage	V		1200
Operational frequency (min...max)	Hz		45...65
Rated operating current AC-51 (resistive load) at 40°C	A		25
Rated operating current AC-51 (resistive load) at 55°C	A		20
Rated operating current AC-53 (motor load) at 40°C	A		13.5
Non repetitive surge peak on state current t=10ms	A		530
Off state leakage current	mA		1
On state output voltage drop	V		1.2
Critical rate of rise of off-state voltage dv/dt	V/μs		1000
Input - Output isolation	V		5000
Input - Output to metal base	V		5000
Output protection type	VDR		
I ² t	A ² s		1404

Terminal characteristics

Control terminals	Type	Screw	
Terminals tool	Blade 3.5mm		
Tightening torque control terminals	Nm	0.5Nm	
	Ibin	4.5	
Conductor section connectable (control terminals) with 1 or 2 wires min...max			
	AWG stranded	n°	28...12
	Flexible w/o lug	mm ²	0.75...2.5
	Flexible c/w insulated spade lug	mm ²	0.75...2.5
Load terminals	Type	Screw	
Load terminals tool	PH2		
Tightening torque load terminals	Nm	1.5	
	Ibin	13.3	

Conductor section connectable (load terminals) with 1 or 2 wires min...max

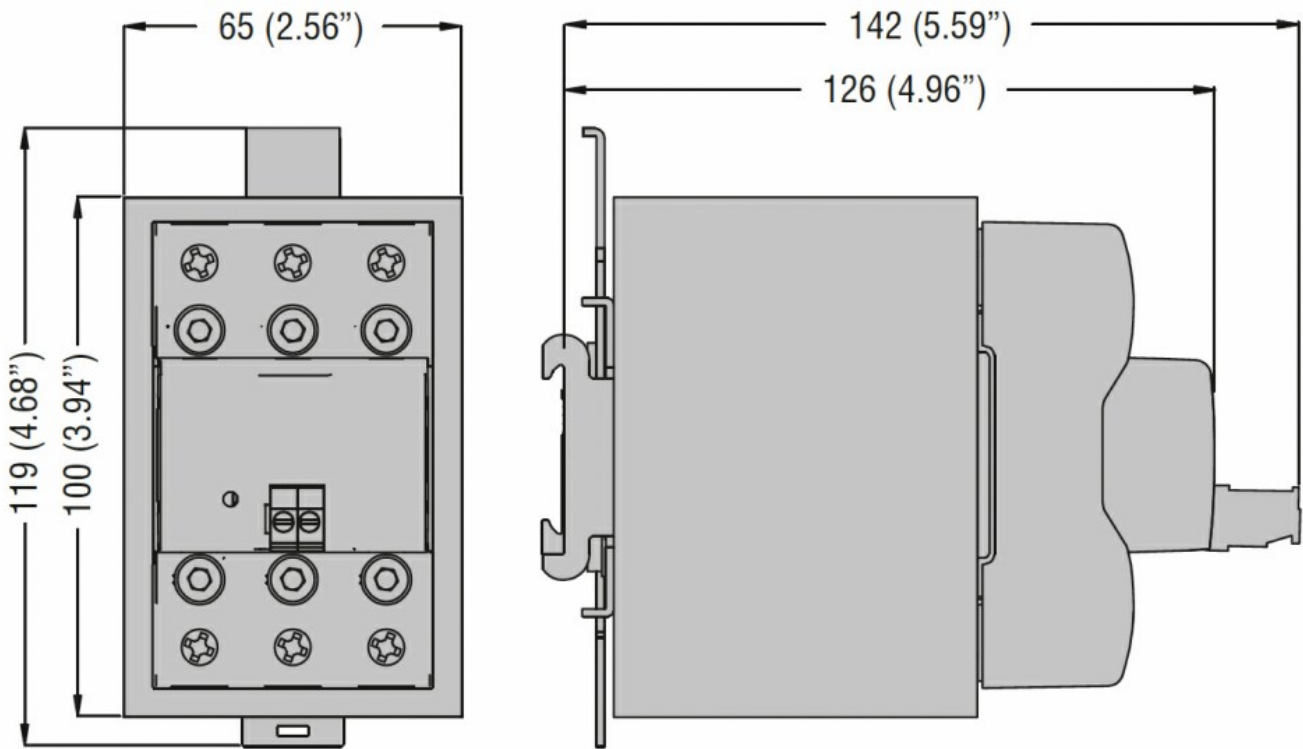
AWG stranded	n°	18...10
Flexible w/o lug	mm2	1...6
Flexible c/w insulated spade lug	mm2	1...16

Operating position	allowable	On vertical plane
Fixing		Screw or on 35mm DIN rail

Ambient conditions

Temperature	Operating temperature	min	°C	-40
		max	°C	+80
	Storage temperature	min	°C	-40
		max	°C	+130

Dimensions



Certifications and compliance

Certifications	IEC/EN/BS 60947-4-2
	IEC/EN/BS 60947-4-3
	IEC/EN/BS 62314
	IEC/EN/BS 6335-1

Compliance	cULus
------------	-------

ETIM classification

EC000066 - Power contactor, AC switching