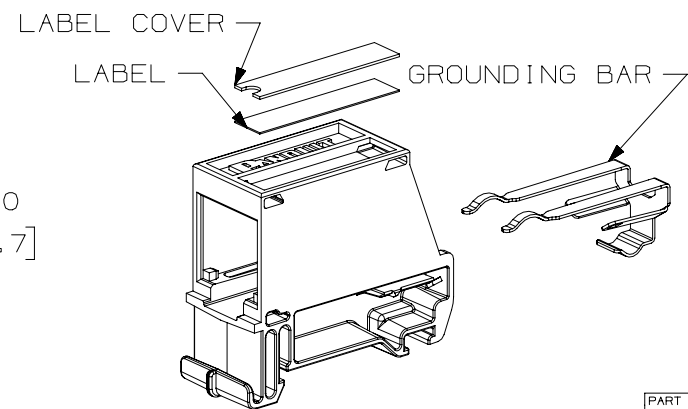
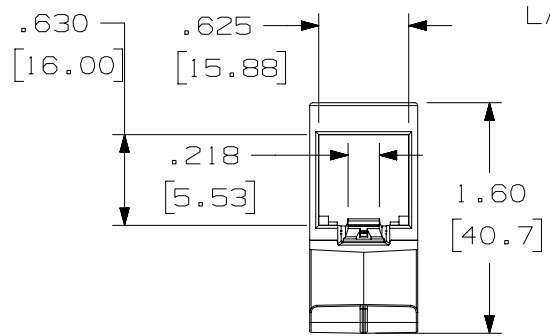
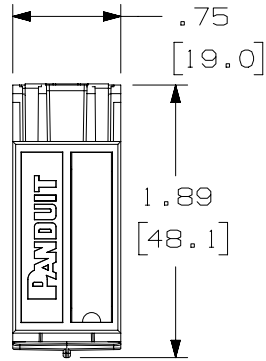
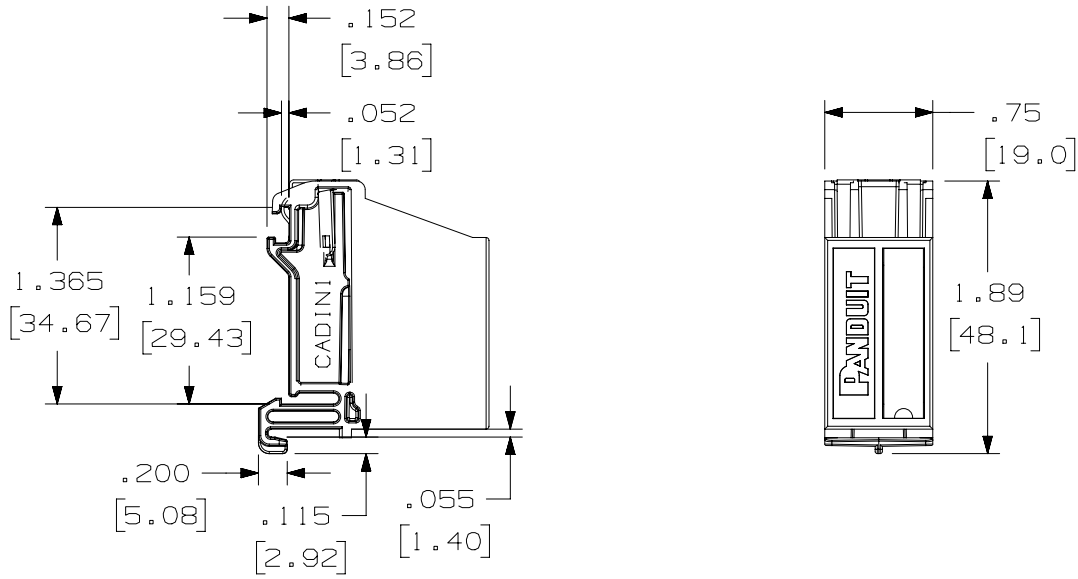


THIS COPY IS PROVIDED ON A RESTRICTED BASIS AND IS NOT TO BE USED IN ANY WAY DETRIMENTAL TO THE INTERESTS OF PANDUIT CORP.



- NOTES:
- SEE CURRENT CATALOG FOR ADDITIONAL PART NUMBER SUFFIXES TO INDICATE PACKAGE QUANTITY.
 - SEE CATALOG FOR COMPLETE LIST OF PARTS APPLICABLE FOR USE WITH THIS PART.
 - DIMENSIONS IN PARENTHESES ARE IN METRIC.
 - PART INCLUDES:
 - 1- PLASTIC ADAPTER
 - 1- LABEL
 - 1- LABEL COVER
 - 1- GROUNDING BAR (CADIN**-S ONLY)

PANDUIT P/N	WEIGHT
CADIN1**	0.55 LB/10PCS [250 g/10 PCS]
CADIN1**-S	0.56 LB/10PCS [252 g/10 PCS]

COLOR CODE	COLOR
BL	BLACK
IG	INTERNATIONAL GRAY
EI	ELECTRIC IVORY
IW	OFF WHITE
WH	WHITE

PART NUMBER		SEE TABLE	
TITLE		MINI-COM 1 PORT DIN RAIL ADAPTER W/LABEL AND LABEL COVER	
CUSTOMER DRAWING			
ITEM REVISION NAME	10M180AA/02		
DATASET FILE NAME	10M180AA_DC02/02A		
 THIRD ANGLE PROJECTION			
MATERIAL	N/A	DRAWING NUMBER	10M180AA_DC02
DRAWN BY	DATE	CHK	SCALE
TYSH	4/17/20	MRWA	N/A
SHEET 1 OF 1		SIZE A	

REV	DATE	BY	CHK	APR	DESCRIPTION	ECN
2	4-17-20	TYSH	MRWA	GSI	F. UPDATED NOTE 1 & 4 E. RESIZED DRAWING VIEWS D. ADDED COLOR CODE TABLE C. ADDED CADIN1**-S PART TO P/N TABLE B. ADDED SHIELDED GROUNDING BAR	10M180AA-02
1	4-19-11	BJN	REFR		A. UPDATED MODEL TO REV 01	10M180AA-02
R	3-10-11	BJN	REFR		INITIAL RELEASE	10M180AA-02

A-SIZE CUSTOMER