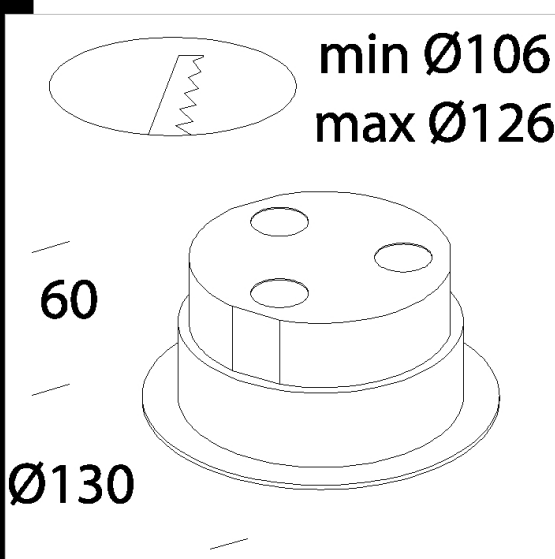


Universal adapter recessed

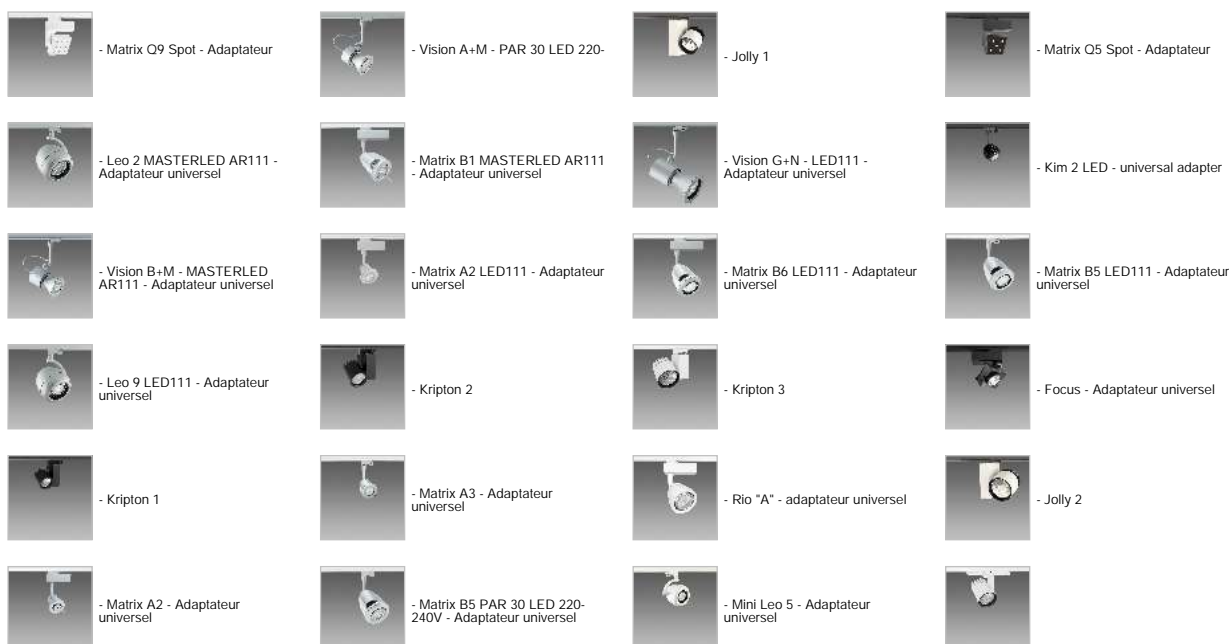
Download

DXF 2D
- incuniv.dxf



| Code | Kg | WTot | Colour |
|-------------|------|------|--------|
| 22091110-00 | 0,13 | 0 W | BLANC |
| 22091130-00 | 0,13 | 0 W | NOIR |
| 22091170-00 | 0,13 | 0 W | GRIS |

Prodotti



The reported luminous flux is the flux emitted by the light source with a tolerance of $\pm 10\%$ compared to the indicated value. The W tot column indicates the total wattage absorbed by the system without exceeding 10% of the indicated

Universal adapter recessed

Prodotti



- Krypton 1B



- Krypton 3B

The reported luminous flux is the flux emitted by the light source with a tolerance of $\pm 10\%$ compared to the indicated value. The W tot column indicates the total wattage absorbed by the system without exceeding 10% of the indicated