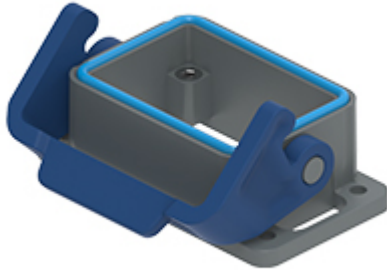


Part number

# THIC 06 L



Bulkhead mounting housing, T-TYPE/C series,  
with 1 lever, size "44.27"

#### Product description

|                     |                           |
|---------------------|---------------------------|
| <b>Product type</b> | Bulkhead mounting housing |
| <b>Series</b>       | T-TYPE/C                  |
| <b>Closing type</b> | With 1 lever              |
| <b>Size</b>         | Size 44.27                |
| <b>Cable entry</b>  | Without cable entry       |

#### Technical data

|                                |             |
|--------------------------------|-------------|
| <b>IP degree of protection</b> | IP66 / IP69 |
|--------------------------------|-------------|

#### Further technical details

|   |                 |
|---|-----------------|
| <b>Weight</b>                                 | 54,00 g         |
| <b>Operating temperature range (min, max)</b> | -50°C ... +70°C |

#### Material properties

|                              |  |
|------------------------------|--|
| <b>Main material</b>         | Polypropylene (PP)                                   |
| <b>Other materials</b>       | Lever: Polypropylene (PP)<br>Gasket: Silicone rubber |
| <b>Colour</b>                | RAL 7012 grey, RAL 5005 blue                         |
| <b>RoHs conformity</b>       | Compliant  |
| <b>China RoHs - EFUP</b>     | E  |
| <b>REACH SVHC substances</b> | No   |

#### General ordering information

|                   |               |
|-------------------|---------------|
| <b>EAN13 code</b> | 8015747211390 |
| <b>eCl@ss 8.1</b> | 27440202      |
| <b>ETIM 7.0</b>   | EC000437      |

#### Packaging Information

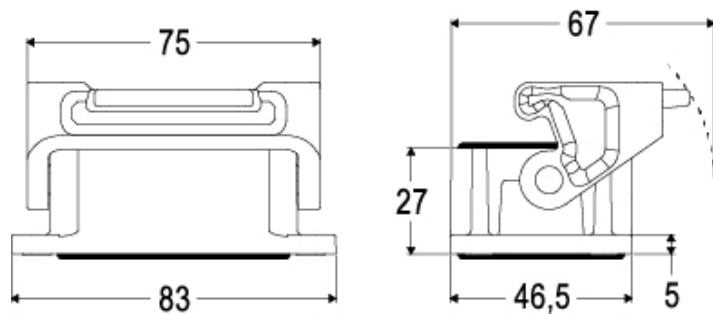
|                                  |                       |
|----------------------------------|-----------------------|
| <b>Packaging length</b>          | 260,00 mm             |
| <b>Packaging height</b>          | 190,00 mm             |
| <b>Packaging width</b>           | 220,00 mm             |
| <b>Packaging weight</b>          | 2,74 kg               |
| <b>Packaging volume</b>          | 10,87 dm <sup>3</sup> |
| <b>Packaging description</b>     | Carton box            |
| <b>Packaging quantity</b>        | 40 Pcs                |
| <b>Packaging EAN code</b>        | 8015747211567         |
| <b>Sub-packaging weight</b>      | 0,34 kg               |
| <b>Sub-packaging description</b> | Plastic packaging     |
| <b>Sub-packaging quantity</b>    | 5 Pcs                 |
| <b>Sub-packaging EAN barcode</b> | 8015747211574         |

Part number

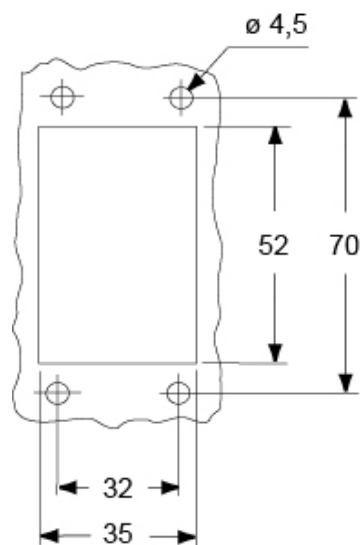
# THIC 06 L



Catalogue drawings



Catalogue drawings



## Notes

Dimensions shown in mm are not binding and may be changed without notice.

---