


Part number

SQE 1663



Interlocked switched socket-outlet, SQE series, 2 poles + PE, 6 h (blue), 16 A, 200 ÷ 250 V, without fuse-carrier

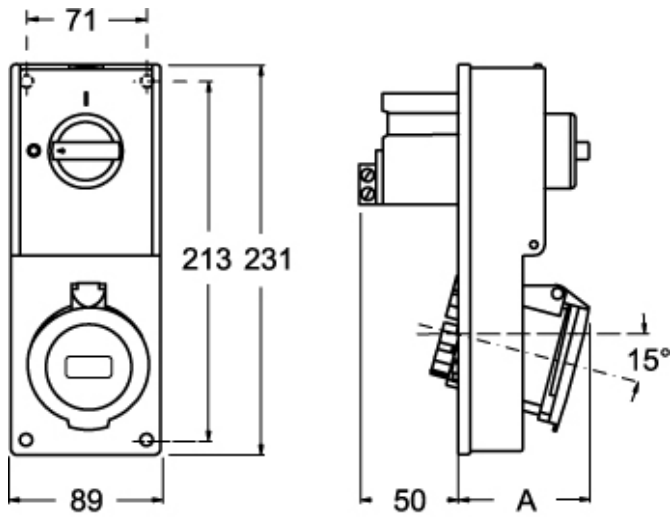
Product description		Material properties	
Product type	Interlocked switched socket-outlet	Colour	RAL 7035 grey, RAL 5015 blue
Series	SQE		Compliant with exemption 6(c): copper alloy containing up to 4% lead by weight
N. of poles	2 poles + 	RoHs conformity	
Clock position	6	China RoHs - EFUP	50
Size	Socket fixing centre distance 88 x 230 mm	REACH SVHC substances	Yes Lead
Specification	Without fuse-carrier	SCIP number	Ce861c8d-b979-403b-96d9-80aef6dc281d
Technical data		Approvals / Standards	
Current	16 A	Reference standard	EN 60309-1, -2 e -4
Voltage	200 ÷ 250 V	General ordering information	
IP degree of protection	IP44	EAN13 code	8015747085595
Further technical details		Packaging Information	
Weight	468,00 g	Packaging length	290,00 mm
Operating temperature range (min, max)	-25°C ... +40°C	Packaging height	250,00 mm
IK rating (impact degree of protection)	IK08	Packaging width	360,00 mm
		Packaging weight	4,71 kg
		Packaging volume	26,10 dm ³
		Packaging description	Carton box
		Packaging quantity	9 Pcs
		Packaging EAN code	8015747085601
		Sub-packaging weight	0,52 kg
		Sub-packaging description	Plastic packaging
		Sub-packaging quantity	1 Pcs
		Sub-packaging EAN barcode	8015747085618

Part number

SQE 1663



Catalogue drawings



Catalogue drawings



SQE		A
16A	2P+⊕	64
	3P+⊕	65
	3P+N+⊕	67

Notes

Dimensions shown in mm are not binding and may be changed without notice.