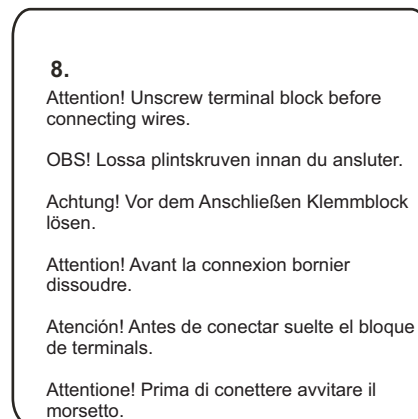
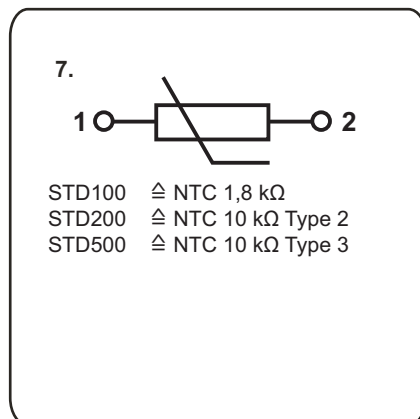
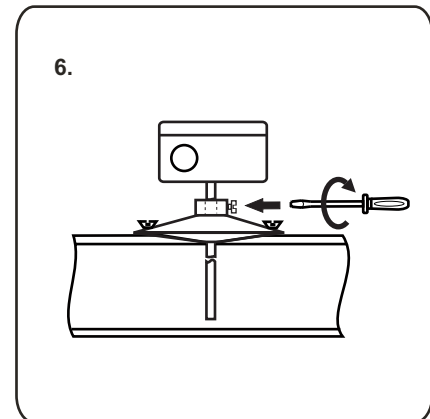
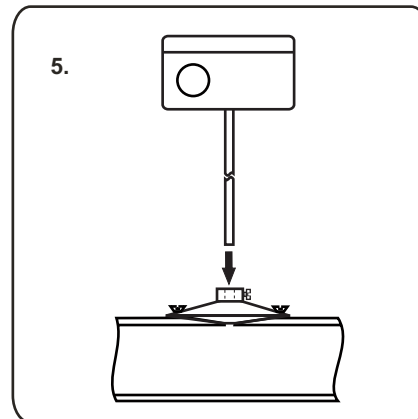
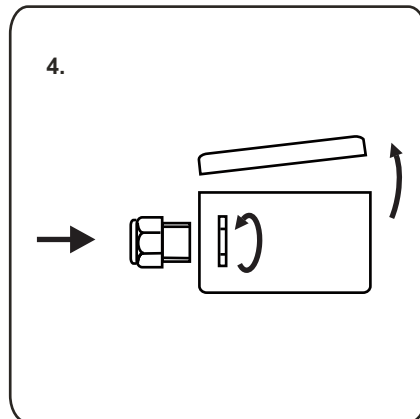
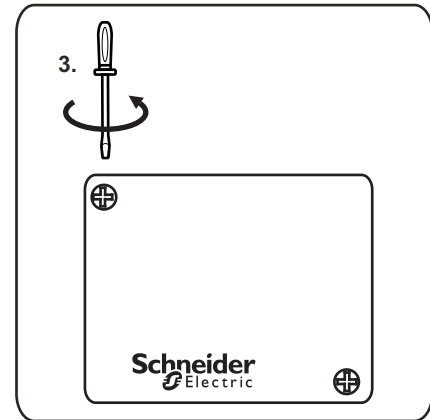
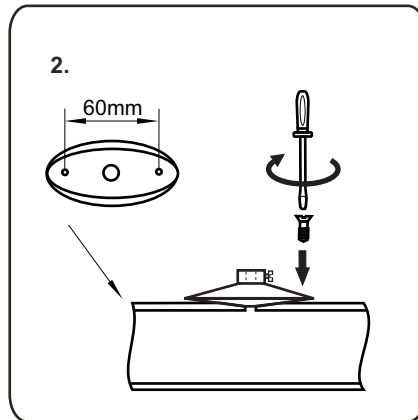
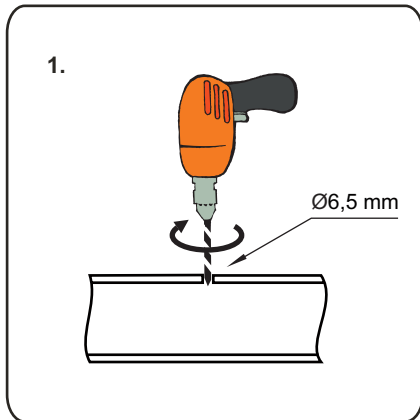


# STD100/ STD200/ STD500

## Installation

Duct temperature sensor  
 Kanal temperaturgivare  
 Kanaltemperatursensor  
 Sonde de température de gaine  
 Sensor de temperatura canal  
 Sensore temperatura a canale

Instruction  
 Montageanvisning  
 Bedienungsanleitung  
 Instructions d'installation  
 Instrucciones de empleo  
 Istruzioni per installazioni



## STD100/ STD200/ STD500

Installation

Duct temperature sensor  
Kanal temperaturgivare  
Kanaltemperatursensor  
Sonde de température de gaine  
Sensor de temperatura canal  
Sensore temperatura a canale

Instruction  
Montageanvisning  
Bedienungsanleitung  
Instructions d'installation  
Instrucciones de empleo  
Istruzioni per installazioni

**Schneider**  
Electric



部件名称 Part Name	有害物质 - Hazardous Substances					
	铅 (Pb)	汞 (Hg)	镉 (Cd)	六价铬 (Cr (VI))	多溴联苯 (PBB)	多溴二苯醚 (PBDE)
金属部件 Metal parts	X	O	O	O	O	O
塑料部件 Plastic parts	O	O	O	O	O	O
电子件 Electronic	O	O	O	O	O	O
触点 Contacts	O	O	O	O	O	O
线缆和线缆附件 Cables & cabling accessories	O	O	O	O	O	O

本表格依据SJ/T11364的规定编制。

O: 表示该有害物质在该部件所有均质材料中的含量均在GB/T 26572规定的限量要求以下。

X: 表示该有害物质至少在该部件的某一均质材料中的含量超出GB/T 26572规定的限量要求。

(企业可在此处, 根据实际情况对上表中打的技术原因进行进一步说明。)



This table is made according to SJ/T 11364.

O: indicates that the concentration of hazardous substance in all of the homogeneous materials for this part is below the limit as stipulated in GB/T 26572.

X: indicates that concentration of hazardous substance in at least one of the homogeneous materials used for this part is above the limit as stipulated in GB/T 26572