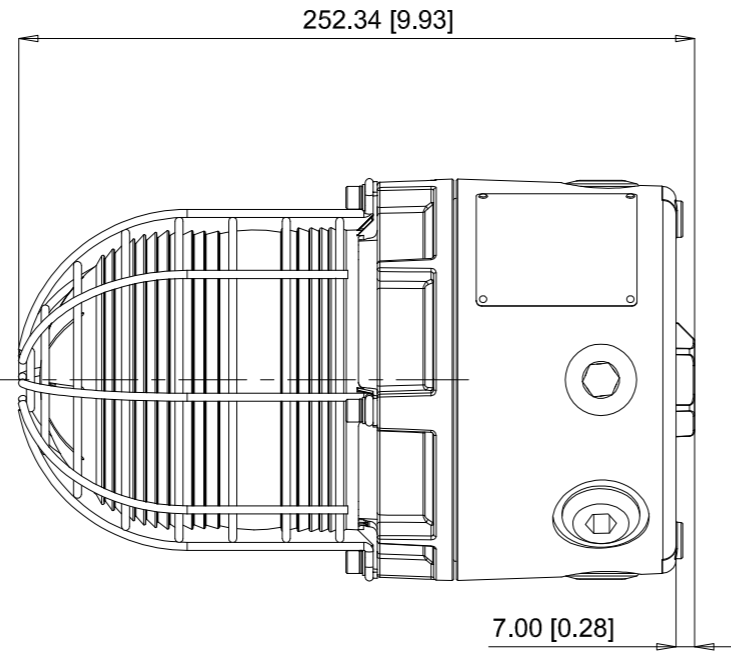
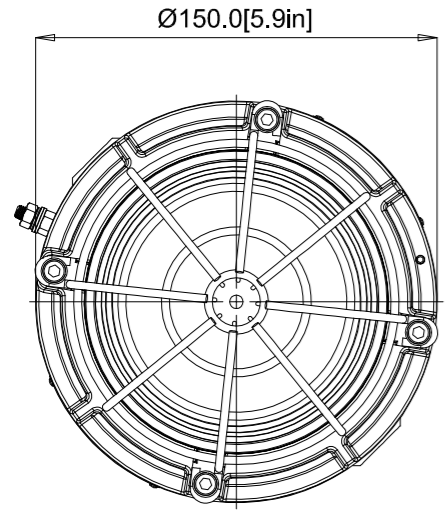
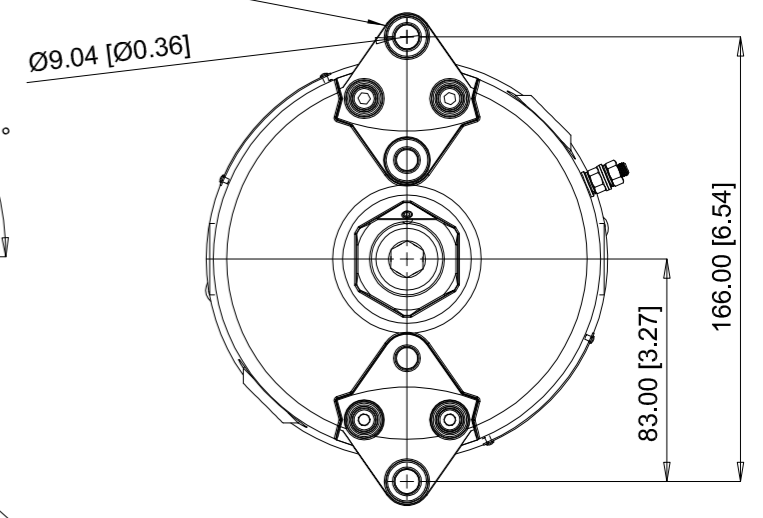
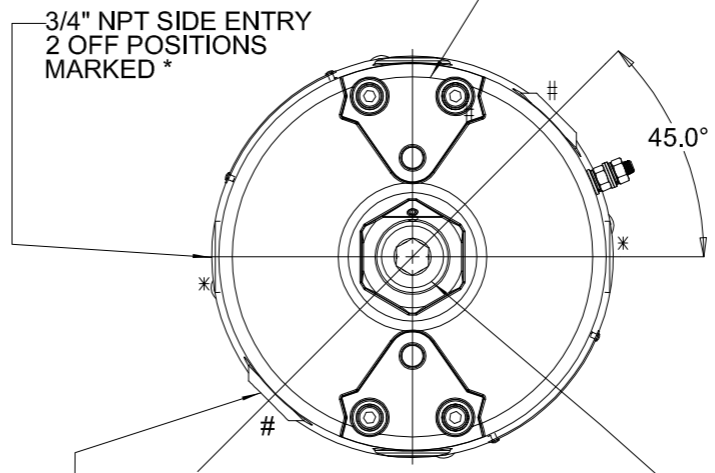


ISSUE	MOD No.	REASON - INITIAL - DATE
2		CORRECTED PART NO.S AND DESCRIPTIONS RSR 21-01-2019
3		OPTIONAL EQUIPMENT TAG SHOWN RSR 21-04-2020



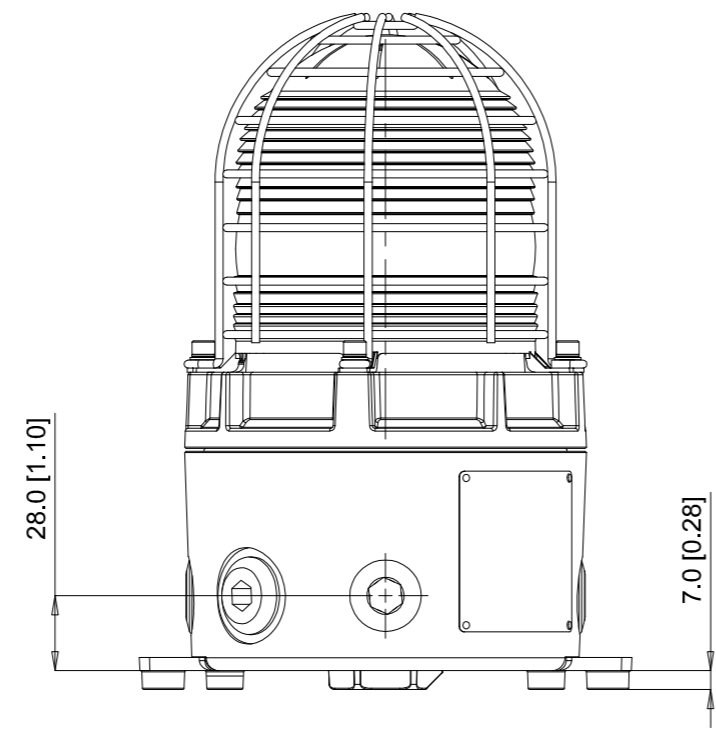
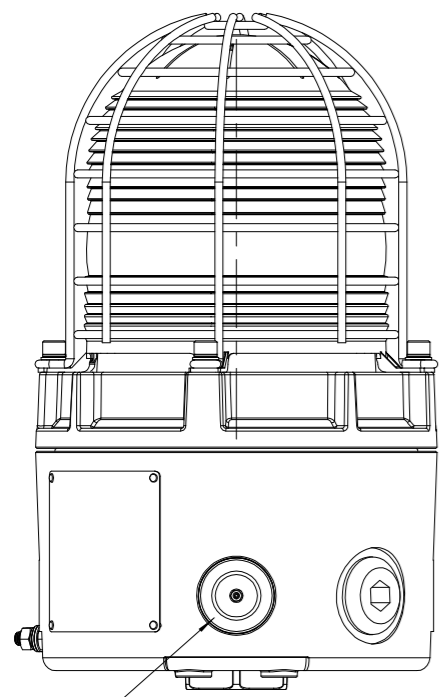
2 OFF FEET SUPPLIED IN STOWED POSITION  
SUITABLE FOR CONDUIT OR BRACKET  
MOUNTING BEACON  
RETAINED BY 2 OFF M5 SCREWS PER FOOT



M20x1.5 SIDE ENTRY  
2 OFF POSITIONS  
MARKED #

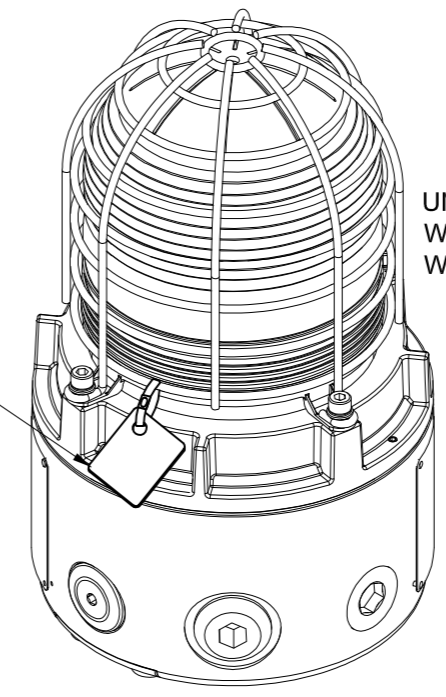
3/4" NPT CONDUIT ENTRY  
FOR CONDUIT MOUNTING  
BEACON

BASE CONFIGURED WITH MOUNTING  
FEET SET OUT FOR SURFACE MOUNTING  
BEACON

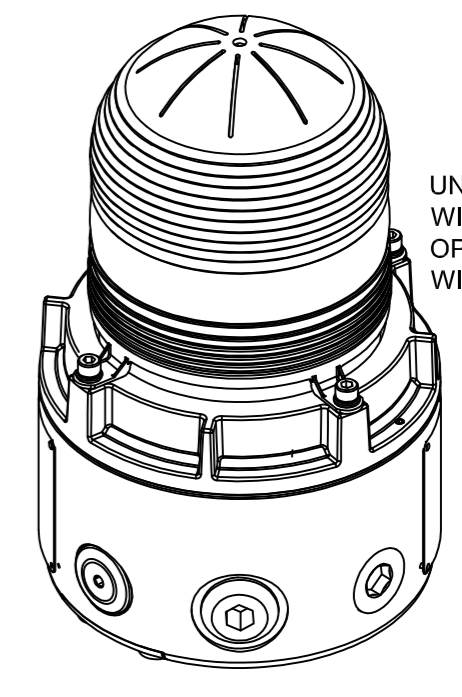


BASE CONFIGURED WITH MOUNTING  
FEET SET OUT FOR SURFACE MOUNTING  
BEACON

OPTIONAL  
EQUIPMENT  
TAG FITTED  
TO WIRE  
GUARD



UNIT SHOWN  
WITH OPTIONAL  
WIRE GUARD



UNIT SHOWN  
WITHOUT  
OPTIONAL  
WIRE GUARD

BRACKET MOUNTING COVER BOSSES  
2 POSITIONS  
REMOVED WHEN OPTIONAL BRACKET SP77-0001  
IS TO BE MOUNTED

E2S PART No.	DESCRIPTION	DATA REFERENCE
D1xB2X05	D1xB2 5J XENON BEACON PRIVATE MODE UL1638	1-21-202
D1xB2X10	D1xB2 10J XENON BEACON PRIVATE MODE UL1638	1-21-203
D1xB2X15	D1xB2 15J XENON BEACON PRIVATE MODE UL1638	1-21-204
D1xB2X21	D1xB2 21J XENON BEACON PRIVATE MODE UL1638	1-21-205
D1xB2LD2	D1xB2 LED BEACON	1-21-206

DRAWING TO BS8888:2000 GEOMETRIC TOLERANCES TO ISO1101:1983 LINEAR DIMENSIONAL TOLS ANGULAR DIMENSIONAL TOLS	STANDARDS	
	DRAWN	R.S.RAIT 05-07-2018
	CHECKED	R.N.POTTS 05-07-2018
	APPROVED	R.N.POTTS 05-07-2018

SURFACE FINISH	WEIGHT (kg)
MATERIAL	
ALTERNATIVE MATERIAL	

THIS DRAWING AND ANY INFORMATION OR DESCRIPTIVE  
MATTER THEREIN IS COMMUNICATED IN CONFIDENCE AND  
IS THE COPYRIGHT PROPERTY OF EUROPEAN SAFETY  
SYSTEMS LTD. NEITHER THE WHOLE OR ANY EXTRACT MAY  
BE DISCLOSED, LOANED, COPIED OR USED FOR  
MANUFACTURING OR TENDERING PURPOSES WITHOUT THEIR  
WRITTEN CONSENT.

EUROPEAN SAFETY SYSTEMS LTD.  
AS PER LATEST DATE OF ISSUE SHOWN ABOVE



ALL DIMENSIONS IN MM IF IN DOUBT, ASK - DO NOT SCALE			A2
TITLE: D1xB2X & D1xB2LD2 BEACON - OUTLINE DRAWING			
SCALE: 1:1	SHEET: 1 OF 1	DRAWING NUMBER: D191-05-201	