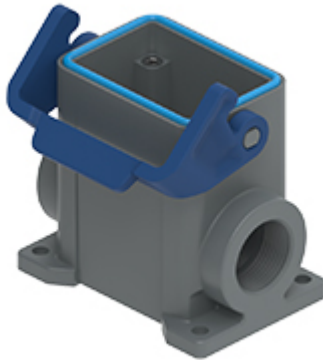


Part number

TAPC 06 L25



Surface mounting housing, T-TYPE/C series,
with 1 lever, M25 cable entry, size "44.27"

Product description

Product type	Surface mounting housing
Series	T-TYPE/C
Closing type	With 1 lever
Size	Size 44.27
Cable entry	With cable entry M25

Technical data

IP degree of protection IP66 / IP69

Further technical details

Weight	135,00 g
Operating temperature range (min, max)	-50°C ... +70°C

Material properties

Main material	Polypropylene (PP)
Other materials	Lever: Polypropylene (PP) Gasket: Silicone rubber
Colour	RAL 7012 grey, RAL 5005 blue
RoHs conformity	Compliant
China RoHs - EFUP	E
REACH SVHC substances	No

General ordering information

EAN13 code	8015747211925
eCl@ss 8.1	27440202
ETIM 7.0	EC000437

Packaging Information

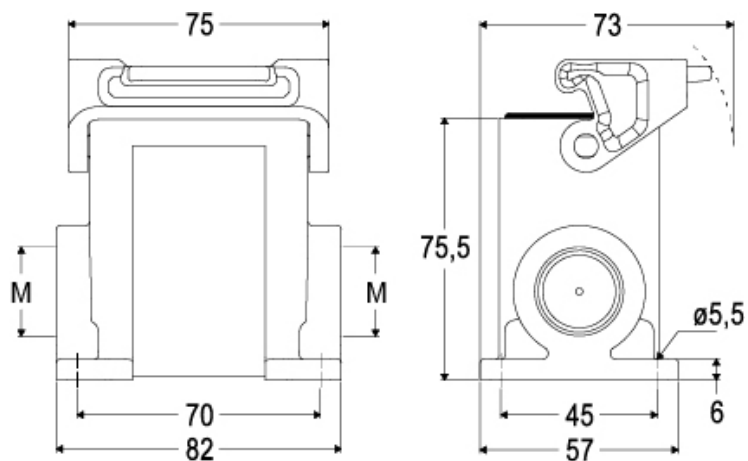
Packaging length	180,00 mm
Packaging height	210,00 mm
Packaging width	330,00 mm
Packaging weight	2,94 kg
Packaging volume	12,47 dm ³
Packaging description	Carton box
Packaging quantity	20 Pcs
Packaging EAN code	8015747212007
Sub-packaging weight	0,74 kg
Sub-packaging description	Plastic packaging
Sub-packaging quantity	5 Pcs
Sub-packaging EAN barcode	8015747212014

Part number

TAPC 06 L25



Catalogue drawings



Notes

Dimensions shown in mm are not binding and may be changed without notice.