



ATX™ FELED SERIES NONMETALLIC LED LUMINAIRES

FEATURES

- Easy to retrofit in same mounting footprint as Appleton's FE series nonmetallic fluorescent luminaires.
- Full range of lumen outputs, with light distribution equivalent to Appleton's FE series fluorescent luminaires.
- Corrosion-resistant fiberglass reinforced polyester body and hinged polycarbonate lens.
- High impact resistance housing (20 Joules – IK10) from -30 °C to +55 °C (-22 °F to +131 °F) ambient temperature and wind profile for use in extreme offshore and onshore environments.
- 60,000+ hour LED life at 50 °C ambient for years of maintenance free operation.
- Lightweight design, hinged cover with captive screws, and terminal block wiring for easy installation and maintenance.
- Contemporary, low profile design suitable for tight spaces.
- Standard screw-type terminal block can accept 1 to 6 mm² wire.
- Field replaceable LED driver.
- Industry-leading thermal management for safe, reliable operation over wide temperature range.
- Universal, high efficiency, drivers cover voltage requirements for 100-240 Vac, 50/60 Hz +/- 10%.
- High power factor electronic ballast (>0.95).
- Standard 2KV surge suppression.
- M20 plug or M25 plug provided.
- Latch assembly and elastomer gasket seals against water and dust ingress, IP66.
- Easily accessed for maintenance using Hex or Allen key or straight blade screwdriver.
- Central opening with unique patented release system to prevent damage.

- Can be horizontally or vertically mounted.
- Positive safety switch disconnects power to LED's and driver to allow maintenance in hazardous locations.
- Available in 3 hour emergency version, including built-in monthly self-test. Test results through multi-colored LED.
- Ex e battery with plug-in connector.
- Available in 5000K and 4000K Color Temperatures
- Meets Photobiological Requirement for Risk Group 0 (RG0).

SUITABLE LOCATIONS

- For use in locations where:
 - Hazardous areas are designated as Zone 1 and 2 – 21 and 22
 - A high degree of corrosion resistance is required
 - Protection against dirt, water and moisture is necessary
- Typical applications include:
 - Oil refineries
 - Petrochemical facilities
 - Food processing plants
 - Waste and water treatment plants
 - Underground tunnels
 - General manufacturing facilities

STANDARD MATERIALS

- Housing: fiberglass reinforced polyester
- Lens: polycarbonate
- Gasket: elastomer
- Internal reflector: highly reflective white powder coated aluminum
- Mounting accessories available in different materials such as gray painted aluminum, zinc plated steel, galvanized steel or 316 stainless steel

OPTIONS

- 3 Hours Emergency / Battery Back-Up available ①;
 - Add suffix -E to the end of the catalog number. Example: FELED5CBDSADE

ATEX/IECEx CERTIFICATIONS AND COMPLIANCES

- Certification Type: FELED
 - Gas: Zones 1 and 2
 - Conforming to ATEX 2014/34/EU: Ⓢ II 2 G
 - Type of Protection: Ex db eb mb IIC Gb
 - Temperature Class: T6 to T5
 - Dust: Zones 21 and 22
 - Conforming to ATEX 2014/34/EU: Ⓢ II 2 D
 - Type of Protection: Ex tb IIIC Db
 - Surface Temperature: +63 °C to +85 °C (145 °F to 185 °F)
- Ambient Temperature:
 - 30 °C up to +55 °C (-22 °F up to +131 °F) (standard)
 - and -20 °C up to +50 °C (-4 °F up to 122 °F) (emergency)
- EU Declaration of Conformity: 50317
- ATEX Certificate: LCIE 16 ATEX 3048X
- IECEx Certificate: IECEx LCIE 16.0038X
- Index of Protection according EN/IEC 60529: IP66.
- Impact Resistance (shock): IK10
- Photobiological Safety, IEC 62778 and IEC 62471: RG0

① Available for 5K lumen models only.

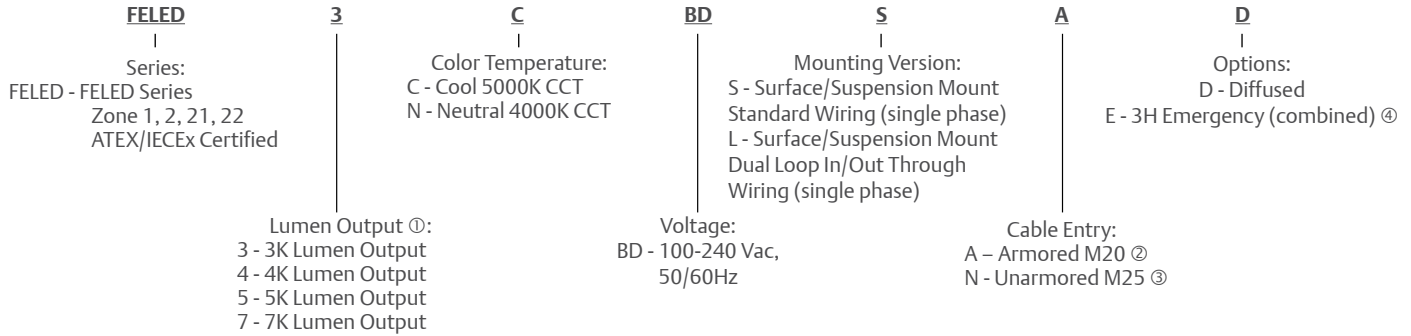
APPLETON™

For product information:
www.appletonelec.com
1.800.621.1506


EMERSON™

EMERSON. CONSIDER IT SOLVED.™

ATX™ FELED SERIES NONMETALLIC LED LUMINAIRES



- ① All values displayed reflect typical values.
- ② Must order armored cable glands separately.
- ③ Cable glands provided in luminaires with unarmored hub entries.
- ④ Available for 5K lumen models only.

	FELED3				FELED4				FELED5				FELED7			
	SA	SN	LA	LN	SA	SN	LA	LN	SA	SN	LA	LN	SA	SN	LA	LN
Line Current Amps	0.28A @ 100V 0.13A @ 240V				0.32A @ 100V 0.15A @ 240V				0.39A @ 100V 0.16A @ 240V				0.63A @ 100V 0.30A @ 240V			
Input Power	27 watts				32 watts				38 watts				63 watts			
Power Factor	>0.95															
Correlated Color Temperature (CCT)	5000K		4000K		5000K		4000K		5000K		4000K		5000K		4000K	
Lumen Output	2850		2500		3600		3200		4650		4150		7050		6550	
Efficacy (Lumens per watt)	105 lm/w		95 lm/w		114 lm/w		101 lm/w		122 lm/w		110 lm/w		111 lm/w		103 lm/w	
Color Rendering Index (CRI)	>70		>80		>70		>80		>70		>80		>70		>80	
Luminaire Length	0.79 m (2.58 ft)				0.79 m (2.58 ft)				1.39 m (4.56 ft)				1.39 m (4.56 ft)			
Luminaire Lifetime LM-79	60,000+ hours															
Photobiological risk (IEC 62778 & 62471)	Risk Group → RG0															
SDCM (Binning)	4-step Binning															
LED Lifetime LM-80 (L70B10)	60,000+ hours															
Warranty	5 Years (Emergency Battery Warranty: 4 Years)															

LED Status

Color	Indication	Function
Green	LED Blinking	Mains voltage available – Battery charging
	LED Continuous	Mains voltage available – Battery connected and loaded
Green and Red	LED Blinking Alternately (2s)	Mains voltage available – Battery in repair mode
Red	LED Blinking	Mains voltage available – No battery connected OR defective
	LED Continuous	Mains voltage NOT available – Light unit powered by batteries (emergency mode)
	LED Flashing	Mains voltage NOT available – Battery low (emergency mode completed)
Yellow (Orange) and another color	LED Blinking Alternately	Mains voltage available – Last automatic or manual operational check has been unsuccessful
None (Off)	No Light Emitted	Mains voltage NOT available – Battery completely empty

Self-Test: In 3 month intervals batteries are automatically discharged and recharged once.

Emergency Light Duration

Version	Battery Capacity	Duration	Light Output
5K	7 Ah – 6V	3 hours	25%

APPLETON™

United States: 1.800.621.1506 | Asia/Pacific: + 65.6556.1100 | Australia: + 61.3.9721.0348
 Canada: + 1.888.765.2226 | China: + 86.21.3338.7000 | Europe: + 33.3.22.54.13.90
 Mexico/Latin America: + 52.55.5809.5049 | Middle East/Africa/India: + 971.4.811.8100
www.appletonelec.com

