
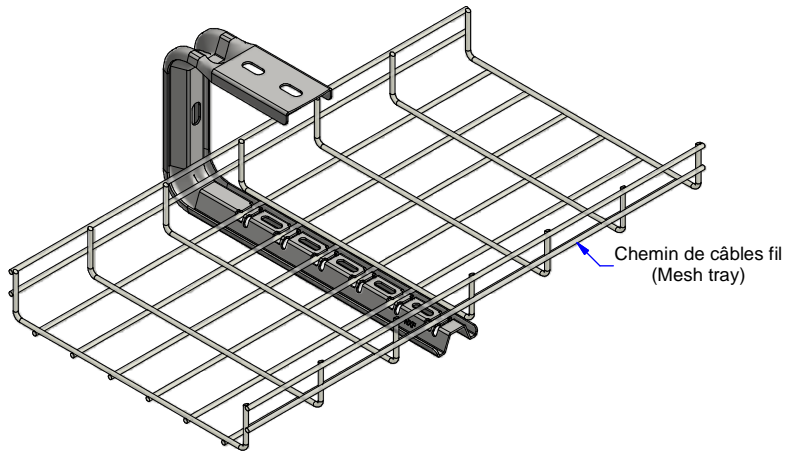




Description	Code	Masse/Weight	Ep./Th.	l./w.	 daN
		Kg/p	mm	mm	
UFC-25 170x185x250 ZM	748013	0,80	2,00	315	65
UFC-30 170x185x300 ZM	748014	0,85	2,00	365	50
UFC-40 170x185x400 ZM	748015	0,96	2,00	465	40



www.niedaxfrance.fr

ZM : High performance coated zinc according to NF A 91102
ZM : Revêtement haute tenue corrosion suivant NF A 91102

SUPPORT UFC ZM BRACKET UFC ZM		
ASSISTANCE TECHNIQUE +33 (0)1 55 95 92 17 pole.technique@niedax.fr		
FT02010		