

Part number

# MAOS 24.40



Hood, EMC series, with 4 pegs, M40 side cable entry, size "104.27", high construction

Product description		Material properties	
<b>Product type</b>	Hood	<b>RoHs conformity</b>	Compliant
<b>Series</b>	EMC	<b>China RoHs - EFUP</b>	E
<b>Closing type</b>	With 4 pegs	<b>REACH SVHC substances</b>	No
<b>Size</b>	Size 104.27	<b>Approvals / Standards</b>	
<b>Cable entry</b>	Side cable entry M40	<b>Certifications</b>	DNV, BV
<b>Specification</b>	High construction	<b>UL</b>	ECBT2
<b>Technical data</b>		<b>cUL</b>	ECBT8
<b>IP degree of protection</b>	IP65 / IP66 / IP69	<b>General ordering information</b>	
<b>Further technical details</b>		<b>EAN13 code</b>	8015747151696
<b>Weight</b>	330,00 g	<b>eCl@ss 8.1</b>	27440202
<b>Operating temperature range (min, max)</b>	-40°C...+125°C	<b>ETIM 7.0</b>	EC000437
		<b>Packaging Information</b>	
		<b>Sub-packaging weight</b>	0,33 kg
		<b>Sub-packaging description</b>	Plastic packaging
		<b>Sub-packaging quantity</b>	1 Pcs
		<b>Sub-packaging EAN barcode</b>	8015747178938

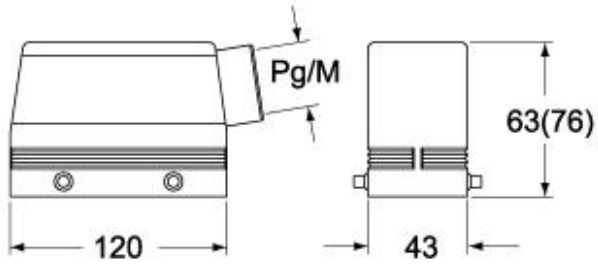
Part number

# MAOS 24.40

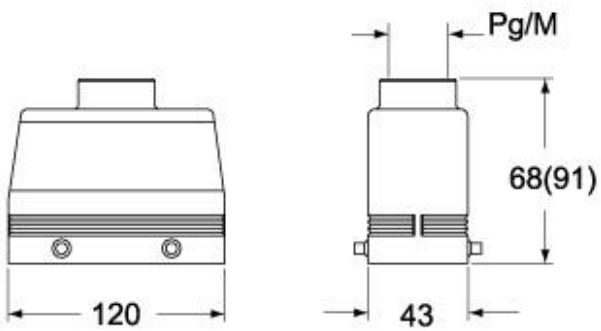


Catalogue drawings

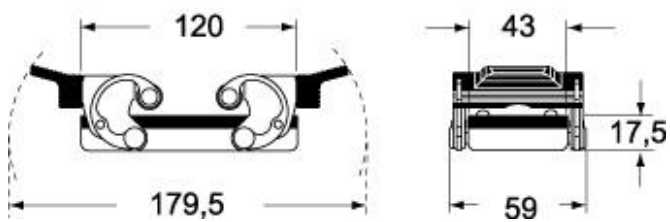
## CHOS (CAOS) - MHOS (MAOS)



## CHVS (CAVS) - MHVS (MAVS)



## CHCS G



## Notes

Dimensions shown in mm are not binding and may be changed without notice.