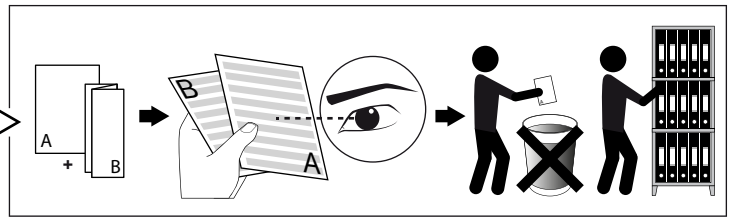
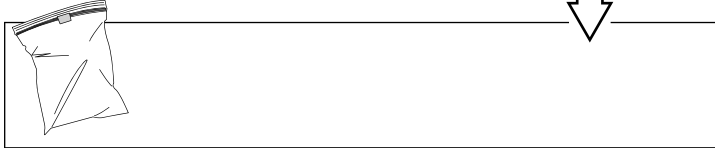


**BLUETOOTH 4CH PUSH BUTTON INTERFACE**

DEEL  
PARTIE  
TEIL  
PART  
PARTE  
PARTE **A**



**Warning!**  
Only qualified professionals should make the connections.

**IP20**  
Beschermd tegen vaste voorwerpen die groter zijn dan 12 mm  
Protégé contre les objets solides de plus de 12 mm  
Geschützt gegen Festkörper größer als 12 mm  
Protected against solid objects greater than 12 mm  
Protegido contra objetos sólidos superiores a 12 mm  
Protetto contro oggetti solidi più grandi di 12 mm

**Warning!**  
Enkel geschikt voor toestellen op zeer lage spanning (minder dan 50 V-AC / 120 V-DC)  
Convient uniquement pour les produits à très basse tension (moins de 50 V-AC / 120 V-DC)  
Geeignet für Güter mit sehr niedriger Spannung (unter 50 V-AC / 120 V-DC)  
Only suited for goods at very low voltage (below 50 V-AC / 120 V-DC)  
Se recomienda únicamente para aquellos productos de tensión muy baja (menos de 50 V-AC / 120 V-DC)  
Vale unicamente per i prodotti a tensione molto bassa (inferiore a 50 V-AC / 120 V-DC)

**Description**  
This interface is designed to connect any 'normal open' push button to a casambi network. Powered by a battery the interface doesn't need more cabling than the wires between the interface and the push buttons. 1 to 4 push buttons can be used and they can be configured in the app to control a lamp, a group of lamps, a scene/animation or just control all lamps in one press.

The box is small enough to fit any wall box and the wires are a size that will fit any screw terminal. The interface is compatible with all products that are compatible with the casambi bluetooth network.

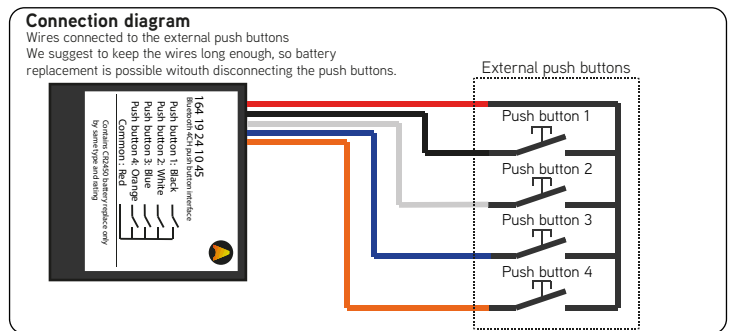
Each time a button is pressed the module will be activated for a few seconds and then goes automatically in a standby mode. This in order to preserve the battery capacity. Battery status can be checked in the app on the 'switches' screen.

To ensure a long battery life this interface will not be active in the bluetooth mesh the whole time. You can't use this as a mesh repeater'

**Battery replacement**  
When battery indicator is showing a low level a new battery will be needed. Battery is available as spare part.

- Remove the cover (1) from the box (2).
- Pull out the pcb (3) slowly until the battery (4) can be removed.
- Replace battery and assure it is locked before sliding the pcb back in and putting the lit cover.

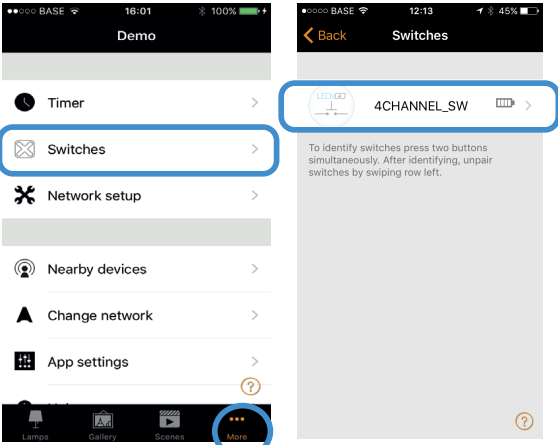
**Warning!**  
Only change battery with same type and rating



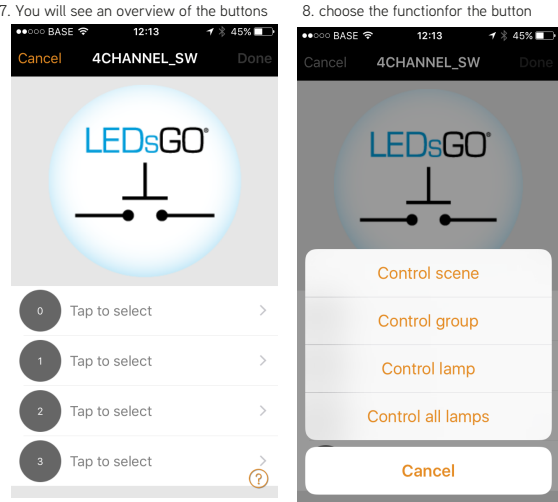
**Setup your push button interface**

Follow these simple steps to configure your device into a network.

1. Open the casambi app and login to your network. If you do not have a network yet we recommend to configure the casambi ready output module first. By this you will generate a network.
2. Power up the push button interface by continuously pressing on any button you want.  
For example connect red en black wire with each other. By doing this the module will start. You can now find the modules in the "nearby devices" screen.
3. Tap on the switch icon and add the device to the desired network.
4. Now the device is added to the network you can add functions to the buttons. Open up the 'more' screen.
5. Tap on switches
6. Tap on the switch you just added

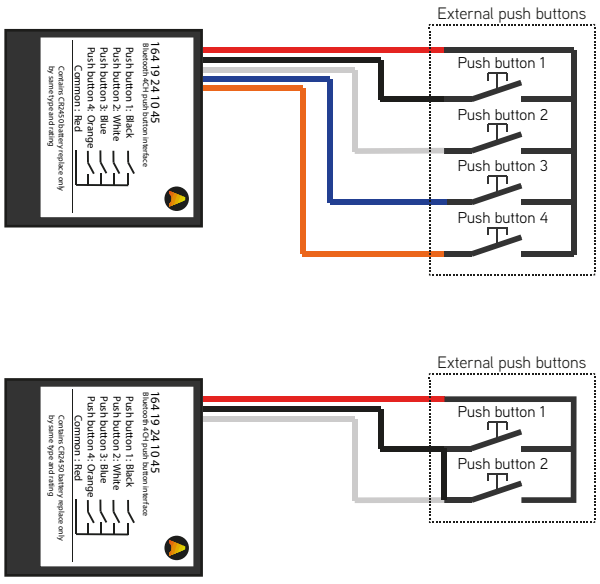


To identify switches press two buttons simultaneously. After identifying, unpair switches by swiping row left.



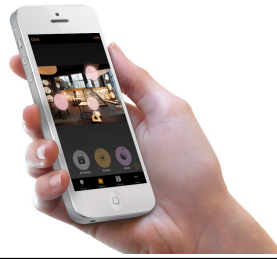
**UNPAIR AND UPGRADE/UPDATE**

Wires connected to the external push buttons  
If you are using only one external push button, make sure to connect the second push button to the first one.  
Press the first two pushbuttons during 10 seconds, to unpair your set-up in combination with the CASAMBI APP.



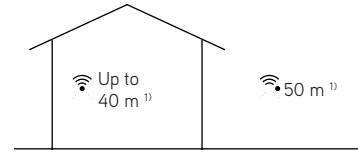
**Casambi App**

The must have app for configuring casambi ready products



Compatible devices:  
iPhone 4S or later  
iPad 3 or later  
iPod Touch 5th gen or later  
Android 4.4 KitKat or later devices produced after 2013 with full BT 4.0 support

**Range**



Casambi uses mesh network technology so each output module acts also as a repeater. Longer ranges can be achieved by using multiple casambi ready output units.

<sup>1)</sup> Range is highly dependant on the surrounding and obstacles, such as walls and building materials.

**Technical data**

<b>Power</b>	
Battery type	CR2450 - 3V
<b>Push button input</b>	
Max. current:	0.2 mA
<b>Radio transceiver</b>	
Operating frequencies:	2,4...2,483 GHz
Maximum output power:	+4 dBm
<b>Operating conditions</b>	
Ambient temperature, ta:	-20...+45°C
Storage temperature:	-20...+75 °C
Max. relative humidity:	0...80%, non-cond.
<b>Wires</b>	
Wire type	22AWG
<b>Mechanical data</b>	
Dimensions:	38 x 38 x 15 mm
Weight:	0,05 Kg
Degree of protection:	IP20 (indoor use only)

<b>Partnumbers</b>	
Bluetooth 4ch push button interface	164 19 24 10 45
Spare battery CR2450	199 26 01 12 23