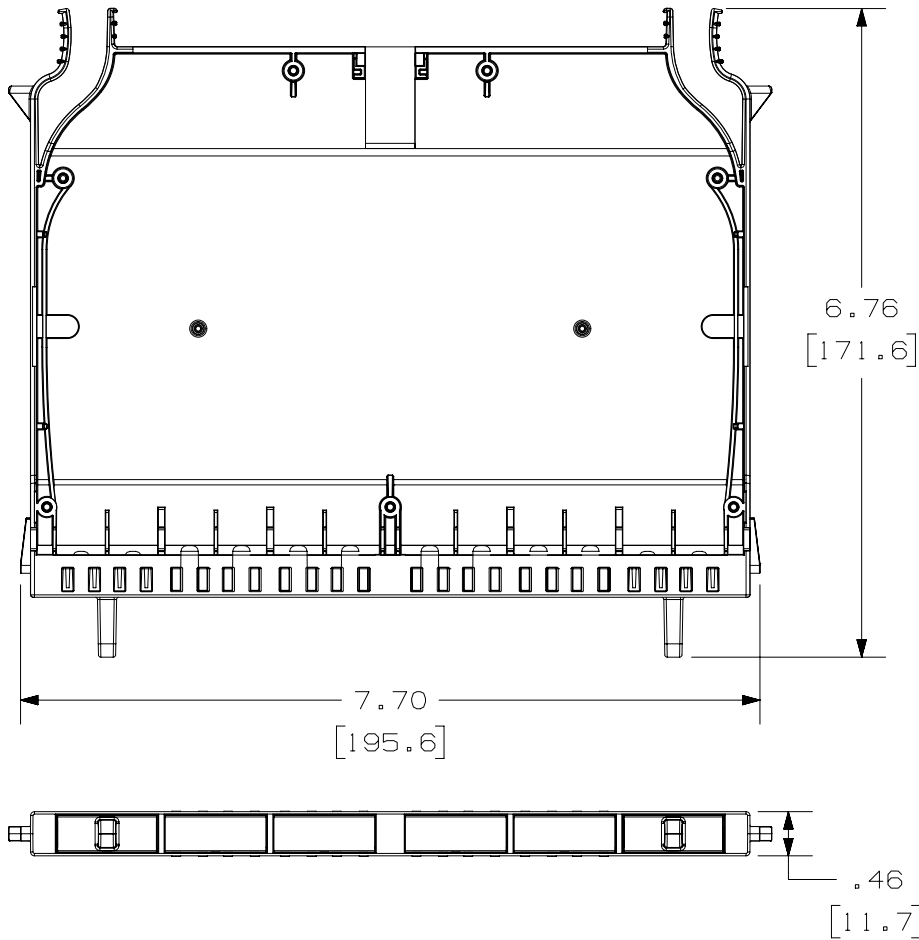
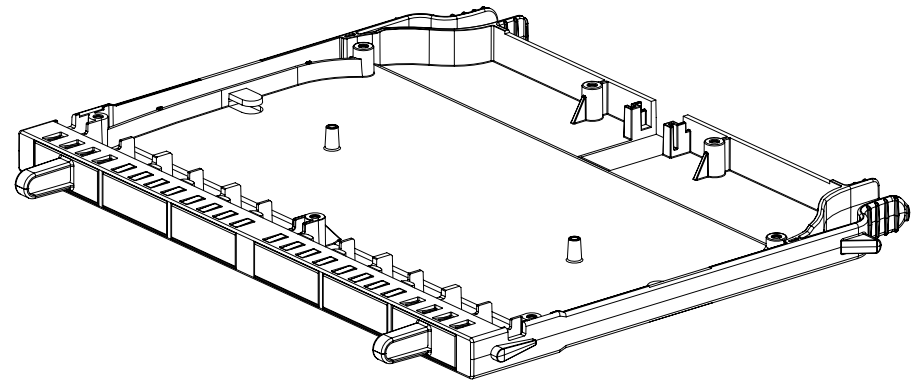
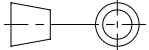


THIS COPY IS PROVIDED ON A RESTRICTED BASIS AND IS NOT TO BE USED IN ANY WAY DETRIMENTAL TO THE INTERESTS OF PANDUIT CORP.



- NOTES:
1. VISIT OUR ON-LINE CATALOG AT WWW.PANDUIT.COM FOR A LIST OF CURRENT PARTS APPLICABLE FOR USE WITH THIS PRODUCT.
 2. DIMENSIONS IN [] ARE METRIC.
 3. ALL MATERIALS AND COMPONENTS USED MEET THE MATERIAL RESTRICTIONS OF RoHS (EUROPEAN DIRECTIVE 2011/65/EU ON THE RESTRICTION OF HAZARDOUS SUBSTANCES) AS PROPOSED BY THE RoHS TECHNICAL ADAPTATION COMMITTEE.
 4. WEIGHT: .18 POUNDS (81.6g)



PART NUMBER		FHSBBL12W										
TITLE		HD FLEX 12-PORT BLANK CASSETTE										
		CUSTOMER DRAWING										
ITEM REVISION NAME		12F187SG/00										
DATASET FILE NAME		12F187SG_DC/00A										
		THIRD ANGLE PROJECTION										
MATERIAL		POLYCARBONATE										
		DRAWING NUMBER										
		12F187SG-DC										
REV	DATE	BY	CHK	APR	DESCRIPTION	ECN	DRAWN BY	DATE	CHK	SCALE	SHEET 1 OF 1	SIZE
00A	1/18/22	JSP	WJM	EJH	INITIAL RELEASE	12F187SG-DC	JSP	1/18/22	WJM	NONE		A

A-SIZE CUSTOMER