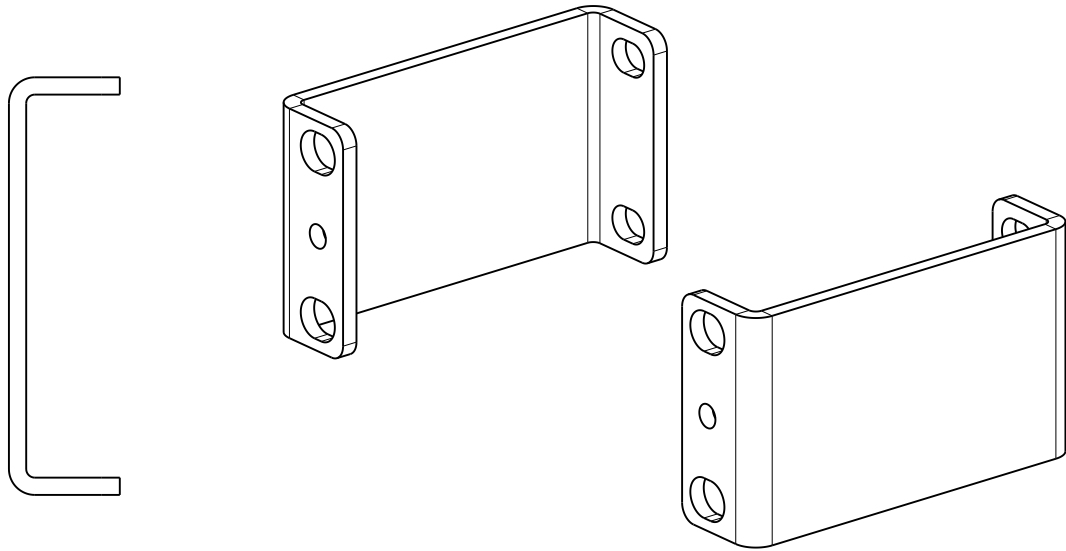


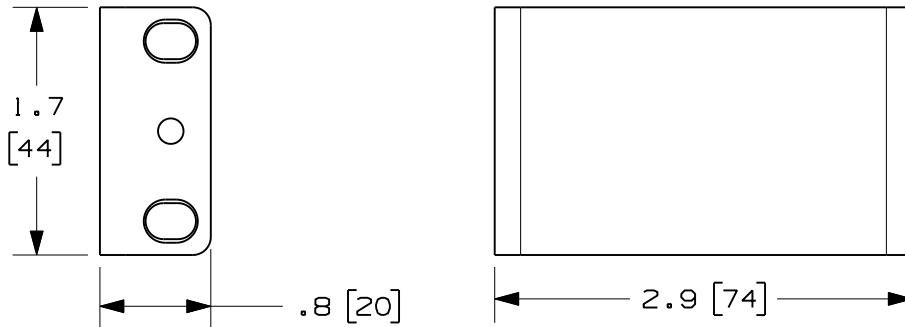
THIS COPY IS PROVIDED ON A RESTRICTED BASIS AND IS NOT TO BE USED IN ANY WAY DETRIMENTAL TO THE INTERESTS OF PANDUIT CORP.



| PANDUIT PART NO. | WEIGHT |
|------------------|------------------------------|
| RSB1B | .44 LBS/EACH .20 kgs/EACH |

NOTES:

1. SEE CURRENT CATALOG FOR ADDITIONAL PART NUMBER SUFFIXES TO INDICATE COLOR AND OR PACKAGE QUANTITY.
2. SEE CATALOG FOR COMPLETE LIST OF PARTS APPLICABLE FOR USE WITH THIS PART.
3. DIMENSIONS IN PARENTHESES ARE IN METRIC.
4. PART INCLUDES:
2 - RACK STANDOFF BRACKETS - 2.9"
4 - #12-24 X .5" BONDING SCREWS



MODEL FILENAME 09V065AW/00

CAD FILENAME/LAYERS 09V065AW_DC/00A

PANDUIT CORP. TINLEY PARK, ILLINOIS

RACK STANDOFF BRACKET - 2.9"
(RSB1B) CUSTOMER DRAWING

UNLESS OTHERWISE SPECIFIED, DIMENSIONAL TOLERANCES ARE:
 INCHES X.X +/- 0.03 X.XX +/- 0.015 X.XXX +/- 0.005
 [METRIC - MILLIMETER] X.X +/- 0.8 X.XX +/- 0.4 X.XX +/- 0.13
 ANGLE +/- 1°

UNLESS OTHERWISE SPECIFIED,
ALL DIMENSIONS ARE GIVEN
IN INCHES, THIRD ANGLE PROJECTION.

DRAWN BY PM

MAT'L: N/A

SCALE 3:4

OOA 1-30-12 PM *EKA* RELEASED TO PRODUCTION 09V065AW-DC

DATE 1-30-12

DRAWING NO. 09V065AW-DC DWG SIZE A

| REV | DATE | BY | CHK | DESCRIPTION | ECN | R | CUST | SUP | OTH |
|-----|------|----|-----|-------------|-----|---|------|-----|-----|
| | | | | | | | | | |

CHK'D *EKA*

DWG SIZE A